



▶ Chart drives

830

- Fast/Slow
- UL Approved
- CUL Approved

This standard chart drive offers accuracy and reliability for precision measurements. The quartz movement concept provides robustness, and it was design to operate into a temperature range of -40° F up to $+180^{\circ}$ F. The universal mounting plate makes it easy to install into all commonly use recorders.

▶ Main Features

- **Concept**

In precise combination of Fast-Slow drive and corresponding Fast-Slow charts, a greatly enhanced flow pattern will be registered in the test sector of 90° .

- **Application**

The full potential of the Fast-Slow idea is recognized at measurement points where the expected chart pattern is a wide, solid band or narrow, high spikes.

- **Benefits**

Advantages are identified such as improved chart reading accuracy, manpower savings and elimination of separate test charts.

▶ Technical data

Part N°	Standard Fast/Slow battery chart drives		
	Mounting plate type	Output shaft	Approvals
820R001	A	¼" Dia. CCW	UL
820R007	B	Threaded CCW	UL
820R011	A	¼ "Dia. CCW	CUL

▶ Characteristics

Advantages				
Rotating speeds	Test:	60 min		
	Regular:	1 d - 7 d - 8 d - 31 d		
	Test Fast:	90 min - 24 hr		
	Slow:	6 hr - 7 d	6 hr - 8 d	
	Fast/Slow:	24 hr - 7 d	24 hr - 8 d	
		24 hr - 16 d	24 hr - 31 d	
Rotation	Counter clock wise			
Accuracy	Quartz controlled			
Function indicator	Pulsating GREEN LED: all fast speeds Pulsating RED LED: all slow speeds and single speeds			
Torque	25 IN-OZ at all speeds			
Operating temperature range	-40° F to 160° F			
Corrosion protection	Sealed with gaskets			
Power supply	1.5 V Alkaline "C" Size battery			
Battery life	SPEED	AMB. TEMP.	32° F	-5° F
	60 minutes	2 weeks	1 week	1 week
	24 hours	6 months	4 months	3 months
	7-31 days	24 months	16 months	12 months
Mounting	No additional standoffs required			
Approvals	UL Listed: class 1 Groups C & D CUL Listed: class 1 Groups C & D Intrinsically safe chart drive			
Patent	US patent 4.492.905			
Availability	SONCEBOZ CORPORATION - Ann Arbor, MI Distributors / Service Companies Throughout the US and Canada			

Special requirements upon customer specifications. Right to change reserved.

< 1.0 >

ACP&D Limited
86 Rose Hill Road,
Ashton-under-Lyne,
Lancashire,
England,
OL6 8YF.

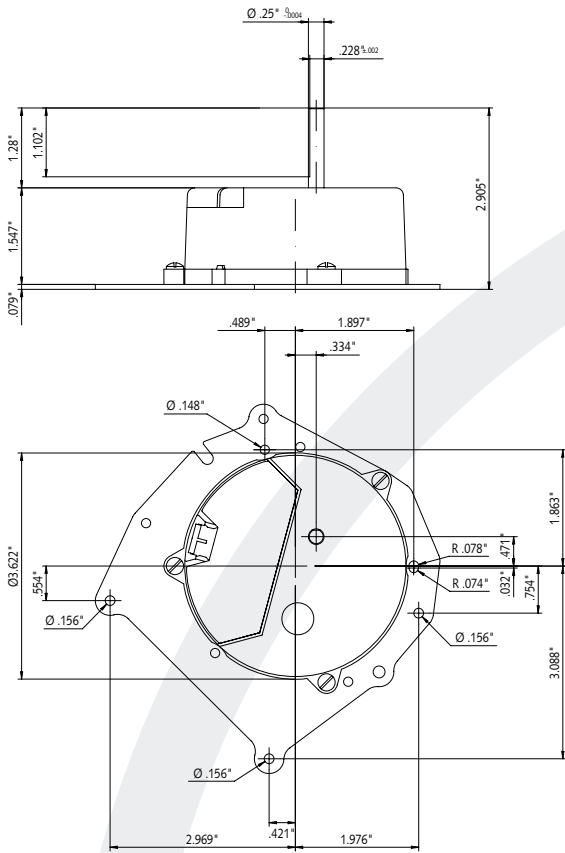
Tel: +44 (0)161 343 1884
Fax: +44 (0)161 343 7773
e-mail: sales@acpd.co.uk
Websites: www.acpd.com &
www.acpd.co.uk



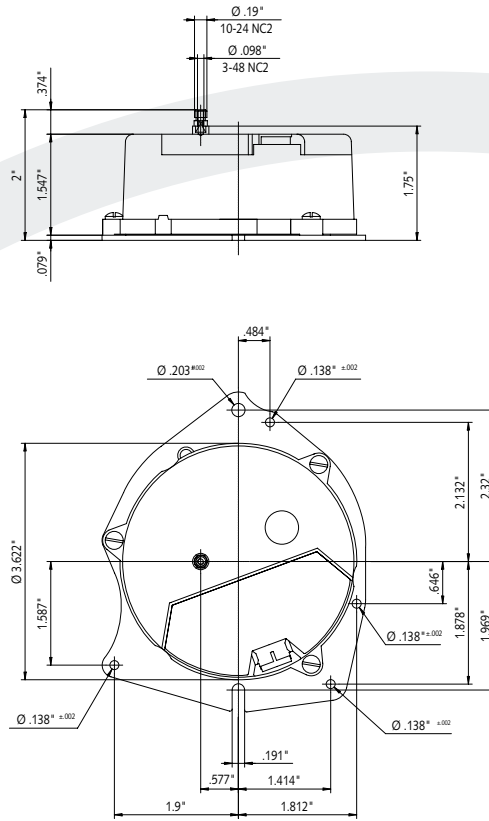
► Dimensions

Drawing not to scale. All dimensions in inches.

• A - Universal mounting plate



• B - Foxboro-style Plate



► Chart hubs are available



Special requirements upon customer specifications. Right to change reserved.

< 1.0 >

▶ Chart paper available

- Sonceboz Fast/Slow Chart Paper
Exclusively designed for type 830 chart drive

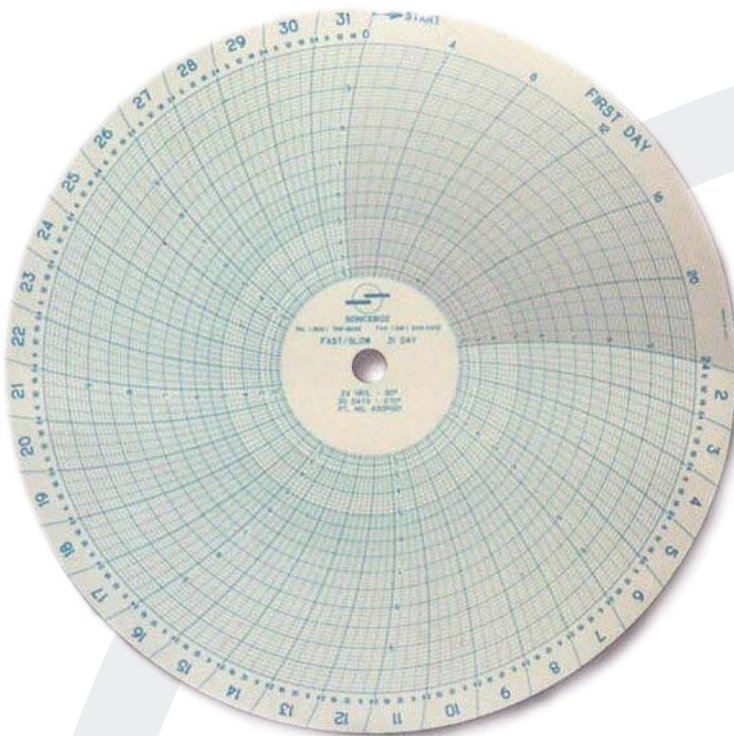


Chart paper available		
Part N° Linear 0-100	Description Rotation	Part N° Square Root L10
830P010	7 days 6 hr - 90° 6 days/18 hr - - 270°	
830P011	8 days 6 hr - 90° 7 days/18 hr - 270°	830P017
830P012	7 days 24 hr - 90° 6 days - 270°	830P018
830P013	8 days 6 hr - 90° 6 days/18 hr - 270°	830P019
830P014	7 days 6 hr - 90° 6 days/18 hr - 270°	
830P015	31 days 24 hr - 90° 30 days - -270°	

Special requirements upon customer specifications. Right to change reserved.

< 1.0 >

ACP&D Limited
86 Rose Hill Road,
Ashton-under-Lyne,
Lancashire,
England,
OL6 8YF.

Tel: +44 (0)161 343 1884
Fax: +44 (0)161 343 7773
e-mail: sales@acpd.co.uk
Websites: www.acpd.com &
www.acpd.co.uk

