



▶ Linear actuators

7217

- Max. Force 50 N
- Max. Travel 10 mm
- Weight 55 g
- Increment/step ... 0.042 mm
(24 steps/rev)
0.021 mm
(48 steps/rev)

The reliability of the actuator allows to use it under extrem conditions where compact dimensions and precision are required.

▶ Technical data

Magnet type	Phase resistance [Ω]	Phase inductance [mH]	Phase current [mA]	Nominal power [W]	Phase tension [V]	Steps/rev	Step angle [°]
standard	51	38	233	5.5	12	24	15
strong	51	32	233	5.5	12	24	15
standard	13	10	350	3.2	12	24	15
strong	13	8	350	3.2	12	24	15
strong	51	48	200	4.1	24	48	7.5
strong	13	12	350	3.2	12	48	7.5

R015

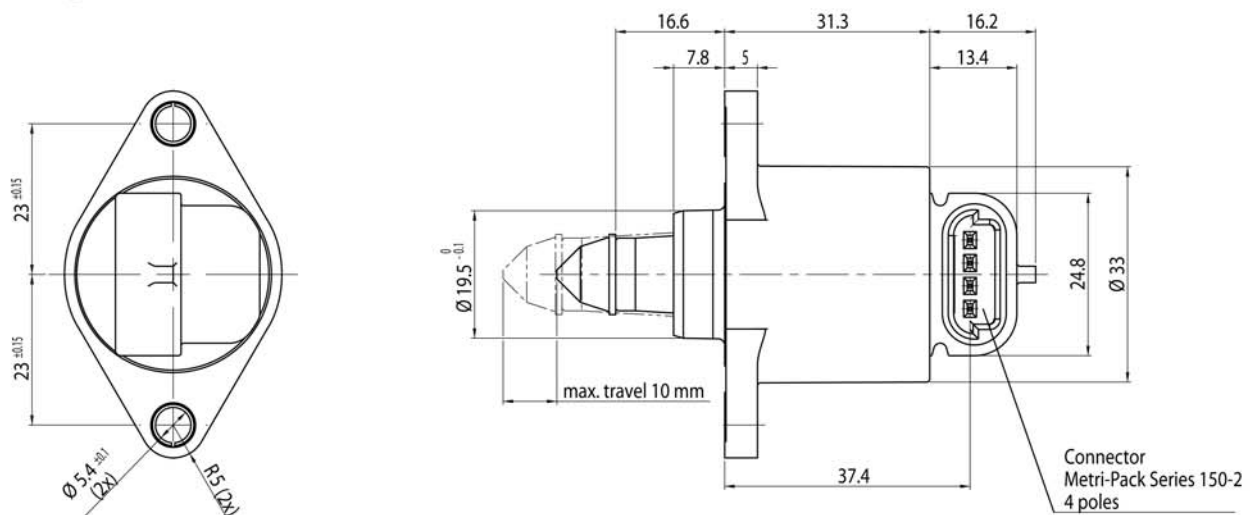
R904

Available Standard pitch sizes: 0.800 mm / 1.016 mm / 1.200 mm / 2.400 mm / 3.840 mm

R015
R904

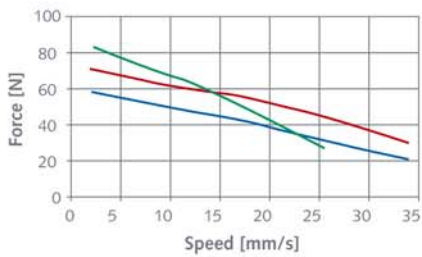
▶ Dimensions

Drawing not to scale. All dimensions in mm.

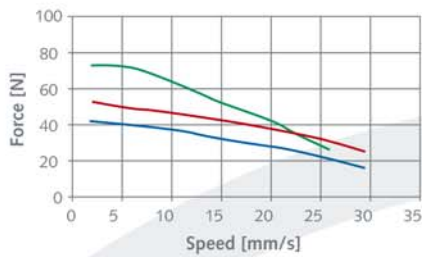


► Dynamic characteristics

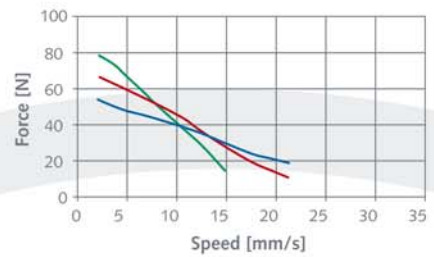
• Chopper 24V R015



• Chopper 12V



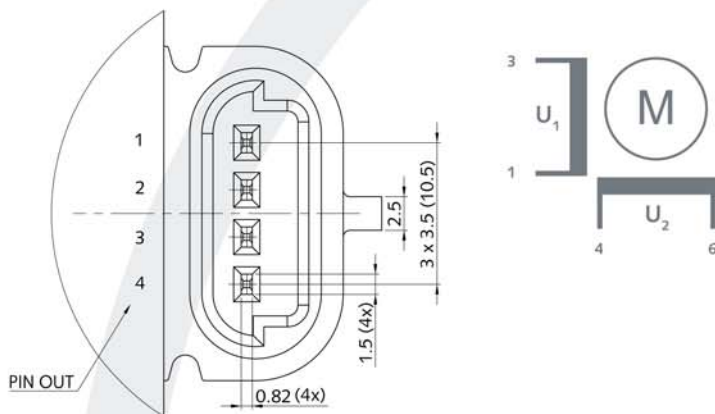
• RL 12V R904



— 24 step/rev. standard magnet — 24 step/rev. strong magnet — 48 step/rev. strong magnet

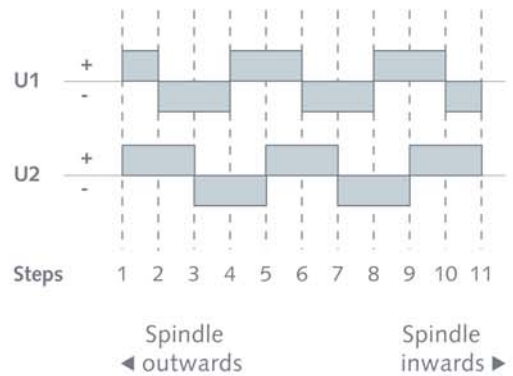
► Electrical Interface and Step sequence

• Connection



Connector type Metri-Pack Serie 150-2, 4 poles
 Mating with Connector FCI type 65846-015
 Contact FCI type 47750-000

• Steps sequence



► Working conditions

Ambient temperature -40 ... +120 °C
 Vibration 40 g
 Insulation Class B 130 °C
 Protection IP 65 (DIN 40050)
 Test Voltage 500 VAC
 Speed (200 Hz, pitch 1.016) 24 steps/rev. (8.45 mm/s)
 48 steps/rev. (4.23 mm/s)

Special requirements upon customer specifications. Right to change reserved.

< 1.0 >

ACP&D Limited
 86 Rose Hill Road,
 Ashton-under-Lyne,
 Lancashire,
 England,
 OL6 8YF.

Tel: +44 (0)161 343 1884
 Fax: +44 (0)161 343 7773
 e-mail: sales@acpd.co.uk
 Websites: www.acpd.com &
 www.acpd.co.uk

