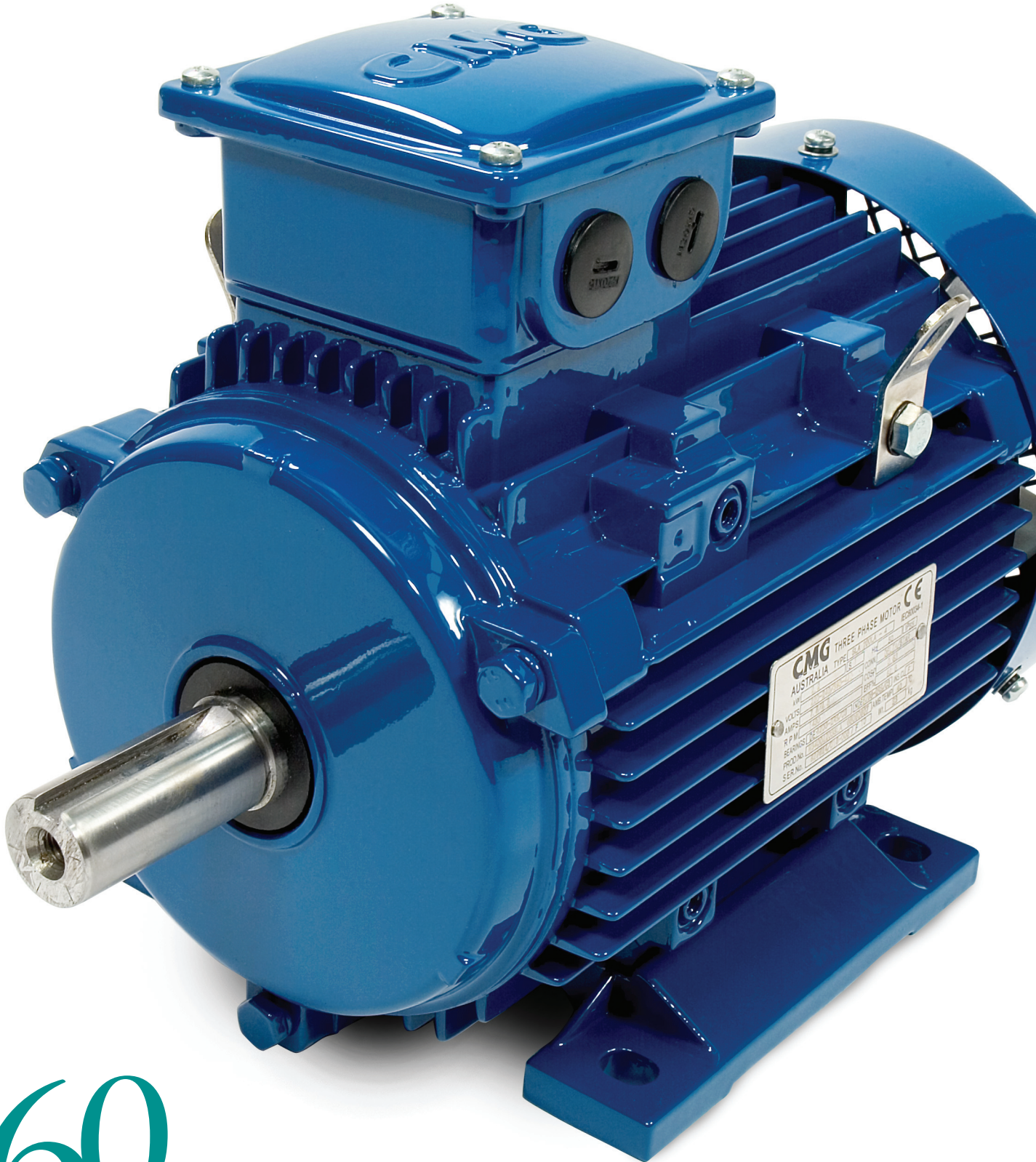


CMG

m o t o r s



60
Years

Proudly manufacturing since 1948

SLA series motors

Cast aluminium multi-mount units



“Solutions, not just products.”

Specialists in Electric Motors, Geared Motors & AC Drives

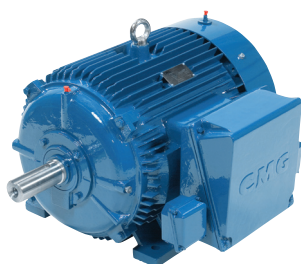
At CMG we offer customised packages to the most demanding industrial markets. Our success is built on a strong commitment to our customers’ needs and a willingness to find the best solution possible. We have been in business since 1948 so you can be confident our expertise and experience is second to none.

With over 650 staff around the globe, our branches extend across Australia, New Zealand, Asia Pacific, South Africa, Europe and the Middle East.

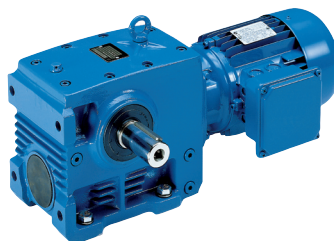
We have the capability to value-add our products through partnerships with leading international companies whose technical skills are equal to ours, including Gear Motors from NORD and AC Drives from VACON. In return we offer these companies superior technical support that complements their own R&D capabilities.

Our manufacturing facility in Melbourne, Australia, demonstrates our commitment to efficient automated manufacturing processes. This facility includes a NATA accredited laboratory which offers complete design and testing services.

“We specialise in an extensive range of Electric Motors, Geared Motors and AC Drives. Offering a “complete package” ensures our customers get the most efficient, cost effective solution possible.”



➤ Electric Motors



➤ Geared Motors



➤ AC Drives

SLA cast aluminium multi-mount three phase motors

Sizes 56 to 160, 0.09 to 18.5kW

Motor design

CMG is pleased to offer the SLA series motor range built in an all aluminium frame which has the same enhanced performance and electrical design as the cast iron SGA™ series that has been specified by Australian industry for over a decade.

Standards and specifications

The main dimensions and rated outputs of the SLA series generally conform to International Standards IEC 60034 and IEC 60072, and Australian Standard AS1359.

Multi-mount feature

The standard SLA motor is supplied with the terminal box top mounted, and has detachable feet. The unique multi-mount design allows the motor feet to be removed and the motor mounted from any of the 16 mounting pads. This feature means that for axial flow fans, there is no need for a motor mount in the fan case, which enables quicker assembly times, lower cost and less restriction to air flow.

Alternatively the feet may be relocated to either side, for a wall mounted motor or side mounted terminal box.

Operating parameters

Standard SLA series motors are designed with the following parameters:

- Continuous duty (S1)
- Three phase 380-420V, 50Hz power supply
- Ambient temperatures up to 40°C
- Installation at altitudes up to 1000 metres

Performance data is based on these parameters and may need adjustment for different requirements.

F class insulation, B class temperature rise

SLA series motors have class F insulation and class B temperature rise which gives them good service factor capabilities.

Degree of protection

Standard level of enclosure protection for the SLA series is IP 55, with increased ratings available on request.

Pump application

A locked drive end bearing is standard on all SLA flange mounted motors from 90 to 160 frame. This makes it perfect for pump applications where minimal axial shaft movement is critical to provide tight tolerances for impellers. On request CMG can provide a locked bearing option for smaller frame sizes and foot mounted motors.

Air movement application

Low weight design and the standard drilled and tapped hole in the shaft makes the SLA series ideally suited for all air movement applications.

Efficiency

SLA motors exceed requirements of European Eff2. For Eff1 aluminium frame motors, refer to CMG's HLA series catalogue.

CMG Motors / Cat SLA 07-03 (3rd Edition)

Paint finish

Motors are painted with a high quality enamel finish. The standard colour is dark blue (RAL5010), with other colours available on request.

Bearings

Bearings fitted are a deep groove ball type with double seals and are the same size for both ends.

Motor frame	Bearing Size
56	6201-2RS
63	6201-2RS
71	6202-2RS
80	6204-2RS
90S/L	6205-2RS
100L	6206-2RS
112M	6206-2RS
132S/M	6208-2RS
160M/L	6309-2RS

Terminal box

The terminal box of the SLA series is separate from the body of the motor allowing it to be rotated providing ease of connection to supply.

Internal connections, voltages and VF drive selection

Standard terminal connections for motors 3kW and below is 240V Delta / 415V Star. These motors are suitable for operation with 240V three phase Variable Frequency Drives or 415V DOL starting.

Standard terminal connections for motors 4kW and above is 415V Delta / 720V Star. These motors are suitable for operation with 415V three phase Variable Frequency Drives, 415V Star/Delta or 415V DOL starting.

Product code specification

When placing an order the motor product code should be specified. The product code of the motor is composed in accordance with the following example:

M	3	2	0	0	1	5	0	3	S	L	A	1
1	2	3	4-8					9	10 - 12			13

Position 1
M = metric frame size

Position 2
Phase
3 = Three phase
A = 2 speed fan duty single winding
B = 2 speed fan duty separate windings

Position 3
Number of poles
2 = 2 poles
4 = 4 poles
6 = 6 poles
8 = 8 poles
E = 2/4 poles
J = 4/6 poles
K = 4/8 poles
N = 6/8 poles
P = 6/12 poles
S = 8/16 poles

Positions 4 to 8
Rated power output
(kW x 100)
(refers to high speed for 2 speed motors)

Position 9
Mounting arrangements
3 = B3
4 = B3/B5 5 = B5
6 = B3/B14A 7 = B14A
8 = B3/B14B 9 = B14B
0 = Body mount

Positions 10 to 12
Series
SLA = SLA series

Position 13
Variation suffix
Blank = standard
1 = high output design
F = flying leads
H = H class insulation
P = pad mount (fitted pads)
R = airstream rated

Performance data

SLA series, three phase, 380-420V 50Hz

IP55, F class insulation , B class temperature rise

kW	Motor frame	Speed [r/min]	415V 50Hz				380V 50Hz			400V 50Hz		Moment of inertia J=1/4GD2 [kg m ²]	Weight of foot mount motor [kg]	
			Efficiency Full load [%]	Power factor	Current		Torque			Current	Current			
					Full load I _N [A]	Locked rotor I _L /I _N	Full load T _N [Nm]	Locked rotor T _L /T _N	Break down T _B /T _N	Full load I _N [A]	Full load I _N [A]			
3000 r/min = 2 poles														
0.12	56B	-9	2730	64.0	0.79	0.33	5.2	0.42	2.3	2.4	0.36	0.34	0.0001	3.6
0.18	63A	-11	2730	65.0	0.79	0.51	5.5	0.63	2.6	2.6	0.56	0.53	0.00015	4.5
0.25	63B	-11	2800	69.0	0.81	0.64	5.5	0.85	2.2	2.3	0.70	0.66	0.00018	4.7
0.37	71A	-14	2800	71.0	0.81	0.93	6.1	0.93	2.2	2.3	1.02	0.96	0.00035	6.0
0.55	71B	-14	2800	74.0	0.82	1.35	6.1	1.35	2.2	2.3	1.47	1.40	0.00045	6.3
0.75	80A	-19	2820	76.0	0.84	1.61	6.1	2.5	2.8	4.0	1.76	1.67	0.00075	10
1.1	80B	-19	2835	78.5	0.86	2.3	5.9	3.7	2.7	3.0	2.5	2.4	0.0009	11
1.5	90S	-24	2860	80.5	0.85	3.0	6.7	5.0	2.9	3.5	3.3	3.1	0.0012	13
2.2	90L	-24	2830	81.8	0.87	4.3	6.4	7.4	2.8	2.8	4.7	4.5	0.0014	14
3	100L	-28	2870	83.3	0.88	5.7	7.5	10.0	2.8	3.4	6.2	5.9	0.0029	25
4	112M	-28	2900	86.1	0.89	7.4	7.9	13.2	2.7	3.5	8.0	7.6	0.0055	28
5.5 ¹⁾	112MB	-28	2890	86.4	0.89	9.9	7.8	18.2	2.8	3.4	11.0	10.0	0.0055	31
5.5	132SA	-38	2925	86.8	0.87	10.2	7.0	18.0	2.4	2.3	11.1	10.6	0.0109	40
7.5	132SB	-38	2895	87.0	0.91	13.3	7.2	24.7	2.1	2.8	14.5	13.8	0.0126	45
11 ¹⁾	132MB	-38	2900	88.8	0.92	18.8	7.3	36.2	2.0	2.9	21.0	20.0	0.0145	51
11	160MA	-42	2935	88.4	0.89	19.6	7.0	35.8	2.2	2.9	21.4	20.3	0.0377	69
15	160MB	-42	2940	89.8	0.91	25.4	7.2	48.7	1.8	2.6	27.7	26.4	0.0499	78
18.5	160L	-42	2930	90.4	0.91	31.4	7.3	60.0	2.3	2.9	34.3	32.6	0.055	80
1500 r/min = 4 poles														
0.09	56B	-9	1330	62.0	0.69	0.29	3.4	0.65	2.7	2.7	0.32	0.30	0.0001	3.6
0.18	63B	-11	1360	62.0	0.73	0.57	4.4	1.26	2.1	2.2	0.62	0.59	0.0003	4.7
0.25	71A	-14	1370	67.3	0.74	0.73	5.2	1.74	2.1	2.2	0.80	0.76	0.0008	6.0
0.37	71B	-14	1375	72.2	0.69	1.05	4.5	2.6	3.3	2.7	1.15	1.09	0.001	6.3
0.55	80A	-19	1390	72.1	0.75	1.4	4.8	3.8	2.5	2.6	1.53	1.45	0.0018	10
0.75	80B	-19	1405	75.7	0.76	1.8	5.0	5.1	2.4	2.5	2.0	1.90	0.0021	11
1.1	90S	-24	1410	77.4	0.78	2.5	5.4	7.4	2.8	2.4	2.8	2.6	0.0023	13
1.5	90L	-24	1405	79.4	0.85	3.2	5.7	10.2	1.8	2.4	3.4	3.3	0.0027	14
2.2	100LA	-28	1430	82.6	0.83	4.5	6.6	14.7	2.8	3.5	4.9	4.7	0.0054	23
3	100LB	-28	1425	82.6	0.85	4.8	8.3	20.1	2.9	3.1	5.2	4.9	0.0067	25
4	112M	-28	1445	85.3	0.82	7.9	7.6	26.4	3.1	3.5	8.6	8.2	0.0095	28
5.5 ¹⁾	112MB	-28	1425	85.8	0.85	10.9	7.3	36.9	3.2	3.3	11.9	11.3	0.0095	32
5.5	132S	-38	1450	87.0	0.85	10.4	6.8	36.2	2.3	3.1	11.3	10.8	0.0214	45
7.5	132M	-38	1450	88.1	0.87	13.7	7.5	49.4	2.6	2.9	15.0	14.2	0.0296	55
11 ¹⁾	132MB	-38	1440	89.2	0.83	21.0	7.8	72.5	1.9	3.0	22.9	21.8	0.0363	61
11	160M	-42	1460	89.2	0.85	20.0	6.9	71.9	2.0	2.8	21.8	20.8	0.0747	76
15	160L	-42	1465	90.2	0.86	27.2	7.2	98.0	2.3	2.9	29.7	28.2	0.0918	90

¹⁾ High output design – output is one kW size higher than the basic CENELEC design.
This data is provided for guidance only, guaranteed only when confirmed by CMG.

Performance data

SLA series, three phase 380-420V 50Hz

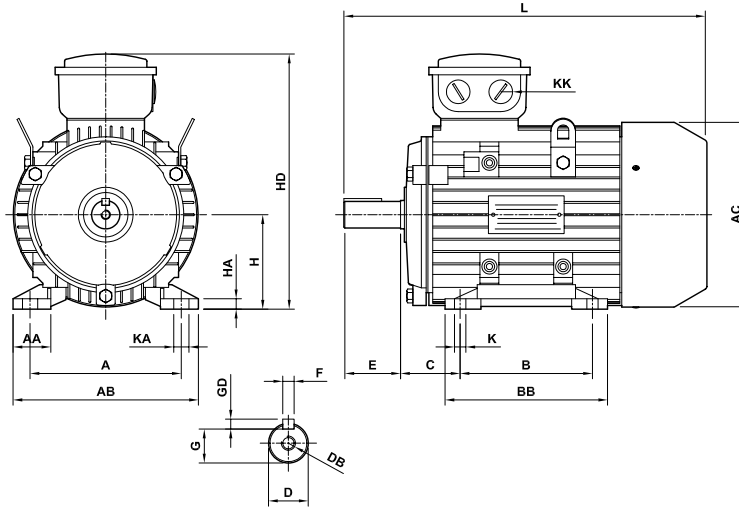
IP55, F class insulation , B class temperature rise

kW	Motor frame	Speed [r/min]	415V 50Hz			380V 50Hz			400V 50Hz		Moment of inertia J=¼GD2 [kg m²]	Weight of foot mount motor [kg]		
			Efficiency Full load [%]	Power factor	Current		Torque			Current			Current	
					Full load I _N [A]	Locked rotor I _L /I _N	Full load T _N [Nm]	Locked rotor T _L /T _N	Break down T _B /T _N	Full load I _N [A]			Full load I _N [A]	
1000 r/min = 6 poles														
0.25	71B	-14	900	60.0	0.68	0.88	4.0	2.65	1.9	2.0	0.96	0.91	0.0009	6.3
0.37	80A	-19	915	67.5	0.70	1.08	3.4	3.9	1.8	2.1	1.18	1.12	0.0016	10
0.55	80B	-19	925	68.6	0.66	1.60	3.3	5.7	1.4	2.1	1.75	1.66	0.0019	11
0.75	90S	-24	935	74.4	0.72	1.90	4.6	7.7	2.4	2.6	2.1	2.0	0.0029	13
1.1	90L	-24	930	75.6	0.77	2.7	4.5	11.3	2.3	2.4	3.0	2.8	0.0035	14
1.5	100L	-28	950	77.7	0.73	3.7	5.1	15.1	2.2	3.0	4.0	3.8	0.0069	23
2.2	112M	-28	945	80.2	0.76	5.0	5.6	22.2	2.7	3.0	5.5	5.2	0.0140	25
3	132S	-38	970	84.6	0.77	6.4	6.7	29.5	2.3	3.2	7.0	6.6	0.0286	42
4	132MA	-38	965	84.5	0.77	8.5	6.7	39.6	2.5	3.2	9.3	8.8	0.0357	45
5.5	132MB	-38	965	85.6	0.81	11.0	6.9	54.4	2.4	3.0	12.0	11.4	0.0449	55
7.5	160M	-42	970	88.4	0.76	15.5	6.0	74.0	2.2	2.6	16.9	16.1	0.0881	78
11	160L	-42	970	89.3	0.79	23.6	5.8	108	2.2	2.4	25.8	24.5	0.2070	90
750 r/min = 8 poles														
0.37	90S	-24	690	62.8	0.61	1.35	4.0	5.1	1.8	1.9	1.47	1.40	0.0042	13
0.55	90L	-24	690	63.5	0.61	2.08	4.0	7.6	1.8	2	2.3	2.2	0.0061	14
0.75	100LA	-28	700	71.0	0.67	2.28	4.0	10.2	1.8	2	2.5	2.4	0.0090	23
1.1	100LB	-28	710	72.0	0.63	3.4	4.2	14.8	2.3	2.8	3.7	3.5	0.0110	25
1.5	112M	-28	705	77.6	0.67	4.0	4.4	20.3	2.1	2.6	4.3	4.1	0.0245	28
2.2	132S	-38	715	81.5	0.74	5.1	5.3	29.4	2.1	3.0	5.6	5.3	0.0314	45
3	132M	-38	715	83.0	0.74	6.7	5.6	40.0	2.3	3.0	7.3	7.0	0.0395	55
4	160MA	-42	720	85.6	0.74	8.9	6.1	53.0	2.4	3.3	9.7	9.2	0.0753	68
5.5	160MB	-42	715	86.5	0.77	11.6	5.7	73.5	2.1	2.9	12.7	12.0	0.0931	78
7.5	160L	-42	715	86.9	0.79	15.4	5.8	100	2.3	2.9	16.8	16.0	0.1260	90

This data is provided for guidance only, guaranteed only when confirmed by CMG.

Dimensional drawings

Foot mount B3 (IM1001)

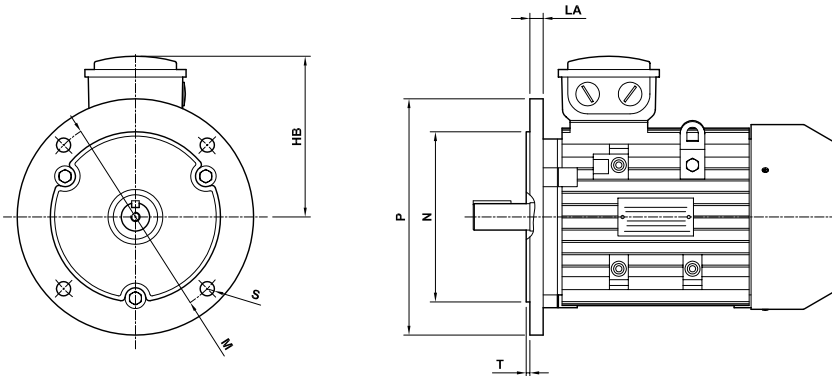


Foot mount B3 (IM1001)

Motor frame	A	AA	AB	AC	B	BB	C	D	DB	E	F	GD	G	H	HA	HD	K	KA	KK	L	
56	-9	90	23	112	114	71	88	36	9	M4	20	3	3	7.2	56	8	165	5.8	8	1xM20	198
63	-11	100	24	123	120	80	100	40	11	M4	23	4	4	8.5	63	7	186	7	9.5	1xM20	220
71	-14	112	26	137	137	90	110	45	14	M5	30	5	5	11	71	8	201	7	11	1xM20	244
80	-19	125	35	157	158	100	125	50	19	M6	40	6	6	15.5	80	9	225	10	14	1xM20	289
90S	-24	140	37	173	178	100	125	56	24	M8	50	8	7	20	90	10	247	10	14	2xM20	313
90L	-24	140	37	173	178	125	150	56	24	M8	50	8	7	20	90	10	247	10	14	2xM20	338
100L	-28	160	40	197	198	140	172	63	28	M10	60	8	7	24	100	12	270	12	16	2xM20	384
112M	-28	190	41	227	221	140	180	70	28	M10	60	8	7	24	112	12	304	12	16	2xM25	402
132S	-38	216	51	262	260	140	186	89	38	M12	80	10	8	33	132	15	343	12	16	2xM25	485
132M	-38	216	51	262	260	178	224	89	38	M12	80	10	8	33	132	15	343	12	16	2xM25	518
160M	-42	254	55	304	314	210	260	108	42	M16	110	12	8	37	160	18	420	15	18	2xM32	605
160L	-42	254	55	304	314	254	304	108	42	M16	110	12	8	37	160	18	420	15	18	2xM32	650

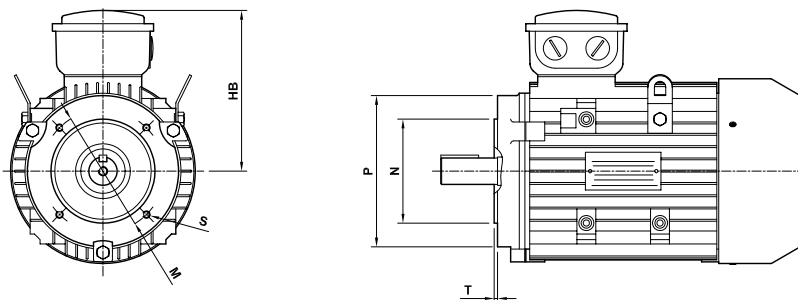
Large flange mount B5 (IM3001)

Flange mount B5 (IM3001)



Motor frame	HB	LA	M	N	P	S	T
56	-9	109	8	100	80	120	7
63	-11	123	10	115	95	140	10
71	-14	130	10	130	110	160	10
80	-19	145	12	165	130	200	12
90S	-24	157	12	165	130	200	12
90L	-24	157	12	165	130	200	12
100L	-28	170	14	215	180	250	15
112M	-28	192	14	215	180	250	15
132S	-38	211	14	265	230	300	15
132M	-38	211	14	265	230	300	15
160M	-42	260	15	300	250	350	19
160L	-42	260	15	300	250	350	19

Small flange (face) B14 (IM3601)



Face mount B14A (IM3601)

Motor frame	HB	M	N	P	S	T
56	-9	109	65	50	80	M5
63	-11	123	75	60	90	M5
71	-14	130	85	70	105	M6
80	-19	145	100	80	120	M6
90S	-24	157	115	95	140	M8
90L	-24	157	115	95	140	M8
100L	-28	170	130	110	160	M8
112M	-28	192	130	110	160	M8
132S	-38	211	165	130	200	M10
132M	-38	211	165	130	200	M10
160M	-42	260	215	180	250	M12
160L	-42	260	215	180	250	M12

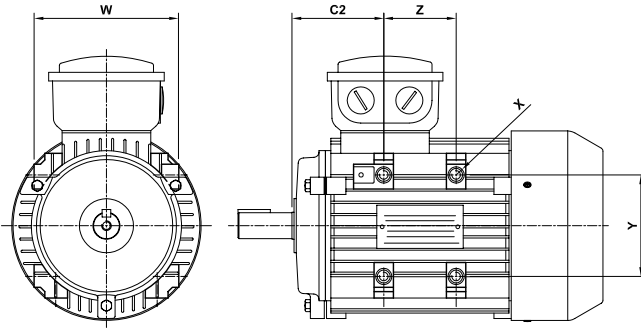
Face mount B14B (IM3601)

Motor frame	HB	M	N	P	S	T
56	-9	109	85	70	105	M6
63	-11	123	85	70	105	M6
71	-14	130	115	95	140	M8
80	-19	145	130	110	160	M8
90S	-24	157	130	110	160	M8
90L	-24	157	130	110	160	M8
100L	-28	170	165	130	200	M10
112M	-28	192	165	130	200	M10
132S	-38	211	215	180	250	M12
132M	-38	211	215	180	250	M12
160M	-42	available on request				
160L	-42	available on request				

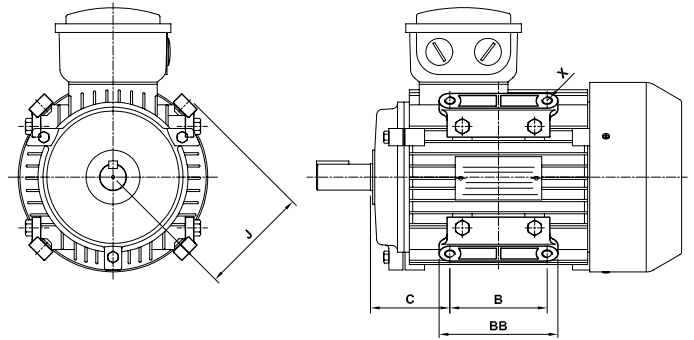
For further dimensional data, see foot mount data (page 6).

Dimensional drawings

Multi-mount option - SLA



PAD mount - SLAP



Multi-mount B0

Motor frame	C2	W	X ⁰	Y	Z
56	-9	55	M5	64	32
63	-11	62.5	M5	70	35
71	-14	71	M6	78	38
80	-19	79	M8	88	42
90S	-24	85	M8	94	42
90L	-24	85	M8	94	67
100L	-28	94	M8	110	78
112M	-28	104	M10	120	72
132S	-38	123	M10	154	72
132M	-38	123	M10	154	110
160M	-42	153	M12	190	120
160L	-42	153	M12	190	164

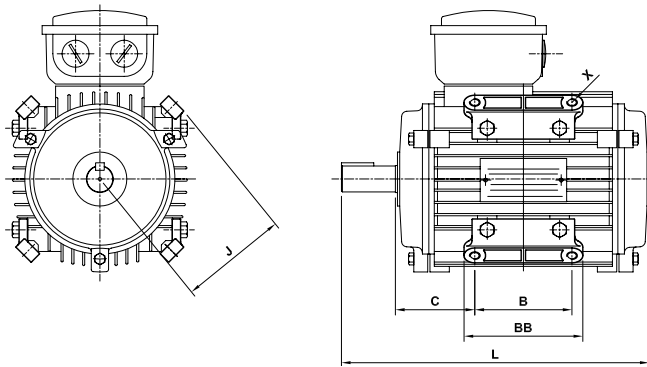
¹⁾ 16 multi-mount mounting pads, 12 tapped or have a provision for tapping. The standard multi-mount offers mounting holes that are vertical or horizontal only.

PAD mount B0

Motor frame	B	BB	C	J	X	
71	-14	71	89	55	82	M10
80	-19	90	110	55	97	M12
90S	-24	90	110	61	100	M12
90L	-24	90	110	73.5	100	M12
100L	-28	100	120	83	114	M12
112M	-28	100	120	90	125	M12
132S	-38	102	132	108	158	M16
132M	-38	140	170	108	158	M16
160M	-42	available on request				
160L	-42	available on request				

Pad mount motors are supplied by fitting 4 pads to the multi-mount motors. This option enables the mounting brackets to be fitted in a radial position relative to the motor shaft.

PAD mount Airstream rated - SLAPR



Airstream rated PAD mount B0

Motor frame	B	BB	C	J	L	X	
71	-14	71	89	55	82	205	M10
80	-19	90	110	55	97	237	M12
90S	-24	90	110	61	100	265	M12
90L	-24	90	110	73.5	100	290	M12
100L	-28	100	120	83	114	330	M12
112M	-28	100	120	90	125	340	M12
132S	-38	102	132	108	158	407	M16
132M	-38	140	170	108	158	445	M16
160M	-42	available on request					
160L	-42	available on request					

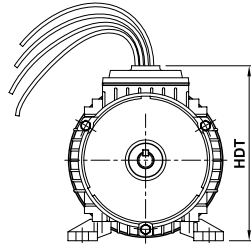
Pad mount motors are supplied by fitting 4 pads to the multi-mount motors. This option enables the mounting brackets to be fitted in a radial position relative to the motor shaft.

Modifications and variations

Terminal box

SLA motors come standard with a terminal box. Alternatively the terminal box can be replaced with a single conduit entry blanking plate and extended leads, including an earth.

Motor frame	Conduit size	HDT
56	On request	
63	M20 x 1.5	141
71	M20 x 1.5	156
80	M20 x 1.5	180
90S/L	M20 x 1.5	196
100L	M20 x 1.5	219
112M	M25 x 1.5	242
132S/M	M25 x 1.5	281
160M/L	On request	



For either terminal box or blanking plate configuration feet can be relocated to provide wiring to the left or right side, or completely removed to enable mounting from the multi-mount pads.

Bearings

CMG can address applications where bearings need special consideration. Attention may need to be given to the following:

- Alternative bearing types
- Low/high temperature bearing grease

Shafts

SLA motors come standard with a single output shaft to standard dimensions. The following alternatives are available:

- Double shaft extension
- Special shaft extension
- Stainless steel shaft material

Endshields

Standard SLA endshields are all aluminium. For frames 90 to 160 they are fitted with steel inserts for the bearings. Cast iron or special endshields for customer applications can be manufactured to specification.

Slide rails

CMG stock slide rails to suit frame sizes from 80 to 160L. Rail sets are manufactured from cast iron and provided with mounting bolts and nuts between motor and rail.

Environmental considerations

Where environmental factors need special consideration CMG can provide the following modifications:

- Winding temperature monitors and thermistors
- Anti-condensation heaters
- Separately powered cooling blowers
- Tropic proofing
- Special paint finish
- Higher IP ratings: IP56, IP65, and IP66
- High ambient temperature motors – SLAH with H class insulation

Special performance

CMG is able to provide SLA motors with special windings. These include:

- 10, 12 and 16 pole single speed windings
- Two, three and four speed windings
- Windings for alternative operating voltages and frequencies
- Windings designed for increased outputs and short time ratings

Need an extra product to complete your project?

Truly a one stop destination, at CMG we offer a comprehensive range of products, including associated accessories, for a wide range of industries.

Ask us about our speciality products:

- ▶ Electric Motors
- ▶ Gear Motors
- ▶ AC Drives
- ▶ Softstarters

PLUS we stock and supply many associated products.

Contact us NOW for a product catalogue.

Electric Motors

- HGA series** Enhanced performance cast iron units MEPS2 (Eff 1) compliant
- SGA series** Enhanced performance cast iron units
- HLA series** Cast aluminium multi-mount units MEPS2 (Eff 1) compliant
- SLA series** Cast aluminium multi-mount units
- PPA series** High specification cast iron units
- PPD series** Zone 1 Exd cast iron units
- MT series** Cast aluminium single & three phase units
- CT series** Air movement, pumping & general purpose application motors
- CW series** Australian made, special application & general purpose motors
- Centurion series** HTE & HCA series cast iron and fabricated steel high voltage motors

AC Drives & Softstarters

- Vacon NX** Vacon frequency converters
- Lovato ADX** Softstarters with torque control

Gear Motors

- Nordbloc-HGA** Euro dimension inline units
- Nordunicase-HGA** Heavy duty inline and flat helical units
- Nordbevel-HGA** Heavy duty helical bevel units
- Nordworm-HGA** All cast iron motor & wormbox units
- FRT-MTT/HLA** All aluminium universal mount wormbox units
- FRS-HGA** All cast iron motor & wormbox units
- FRS-MTT/HLA** All aluminium motor & wormbox units
- FRD-MTT/HLA** All aluminium Euro dimension inline units
- C&H SLA** High ratio inline multi-stage spur units
- Cycloid 600** Compact High Efficiency Cycloidal speed reducers
- Geardrive** C-frame sub-fractional horsepower units
- SMR®** Helical shaft mounted reducers
- CRT-MTT/HLA** All aluminium universal mount wormbox units

Other

- Corporate Brochure & Product Selection Guide

Please note: not all products are available worldwide.



HEAD OFFICE

19 Corporate Ave
PO Box 2340
Rowville VIC 3178 AUSTRALIA
info@cmggroup.com.au
Tel: +61 (0)3 9237 4000
Fax: +61 (0)3 9237 4010

AUSTRALIA

Sales : 1300 888 853
Support : 1800 676 722
www.cmggroup.com.au
CMG Pty Ltd
ABN 99 005 118 114

VICTORIA

19 Corporate Ave
Rowville VIC 3178
Tel: +61 (0)3 9237 4040
Fax: +61 (0)3 9237 4050

NEW SOUTH WALES

8/26 Powers Road
Seven Hills NSW 2147
Tel: +61 (0)2 9674 1555
Fax: +61 (0)2 9674 4652

NORTH NEW SOUTH WALES

13B Old Punt Road
Tomago NSW 2322
Tel: +61 (0)2 4964 9144
Fax: +61 (0)2 4964 8537

QUEENSLAND

1/6-8 Radium Street
Crestmead QLD 4132
Tel: +61 (0)7 3803 2033
Fax: +61 (0)7 3803 2683

NORTH QUEENSLAND

Cnr. John Vella Drive & Connors Rd
Paget, Mackay NQLD 4740
Tel: +61 (0)7 4952 6244
Fax: +61 (0)7 4952 6277

NORTHERN TERRITORY

24 Benison Road
Winnellie NT 0820
Tel: +61 (0)8 8947 2633
Fax: +61 (0)8 8947 1499

WESTERN AUSTRALIA

21 Colin Jamieson Drive
Welshpool WA 6106
Tel: +61 (0)8 6253 3700
Fax: +61 (0)8 6253 3710

SOUTH AUSTRALIA

2/24 Richard Street
Hindmarsh SA 5007
Tel: +61 (0)8 8340 8333
Fax: +61 (0)8 8340 8800

TASMANIA

112 Tarleton Street
East Devonport TAS 7310
Tel: +61 (0)3 6427 9911
Fax: +61 (0)3 6427 9922

ASIA PACIFIC

www.cmggroup.com.sg

SINGAPORE

CMG Electric Motors (Asia Pacific) Pte Ltd
Registration No. 200414611G
69 Tech Park Crescent
Singapore 638073
Tel: +65 6863 3473
Fax: +65 6863 3476

CHINA

www.cmggroup.co.cn

SHANGHAI

CMG Electric Motors Trading (Shanghai) Co Ltd
Registration No. 040714
775 Siping Road, 1st building Room 1915
Hong Kou District
Shanghai 200092
Tel: +86 (0)21 6508 8785
Fax: +86 (0)21 6508 8873

MIDDLE EAST

www.cmggroup.co.il

ISRAEL

CMG Electric Motors (Israel) Ltd
Company No. 513713107
9 Bareket St, Zone 23
North Industrial Park
Caesarea 38900
Tel: +972 (0)4 627 0777
Fax: +972 (0)4 627 0779

NEW ZEALAND

Sales : 0800 676 722
www.cmggroup.co.nz
CMG Electric Motors (NZ) Ltd
NZCN : 567 351

AUCKLAND

315A Rosebank Road
Rosebank, Avondale
Auckland
Tel: +64 (0)9 820 3550
Fax: +64 (0)9 828 9288

CHRISTCHURCH

Cnr Lunns & Annex Road
Middleton
Christchurch
Tel: +64 (0)3 348 3740
Fax: +64 (0)3 348 3760

ROTORUA

51 Pururu Street
Rotorua
Tel: +64 (0)7 347 8624
Fax: +64 (0)7 347 8629

SOUTH AFRICA

www.cmggroup.co.za
CMG Electric Motors South Africa (Pty) Ltd
Registration No. 2003/001379/07

JOHANNESBURG

268B Fleming Road
Meadowdale
Germiston
Johannesburg 1614
Tel: +27 (0)11 453 1930
Fax: +27 (0)11 453 9560

DURBAN

Unit 13 Heron Park
80 Corobrik Road
Riverhorse Valley Estate
Durban 4017
Tel: +27 (0)31 569 5551
Fax: +27 (0)31 569 5549

MIDDELBURG

Unit 6, 2 Rand Street
Industrial Area
Middelburg 1050
Tel: +27 (0)13 246 1902
Fax: +27 (0)13 246 1205

CAPE TOWN

Unit 3, 52 Junction Street
Tygerberg Industrial Park
Parow Industria
Cape Town 7499
Tel: +27 (0)21 951 2901
Fax: +27 (0)21 951 2910

CMG products are sold and recommended by :

ACP&D Limited

86 Rose Hill Road,
Ashton-under-Lyne,
Lancashire,
England,
OL6 8YF.

Tel: +44 (0)161 343 1884
Fax: +44 (0)161 343 7773
e-mail: sales@acpd.co.uk
Websites: www.acpd.com &
www.acpd.co.uk

