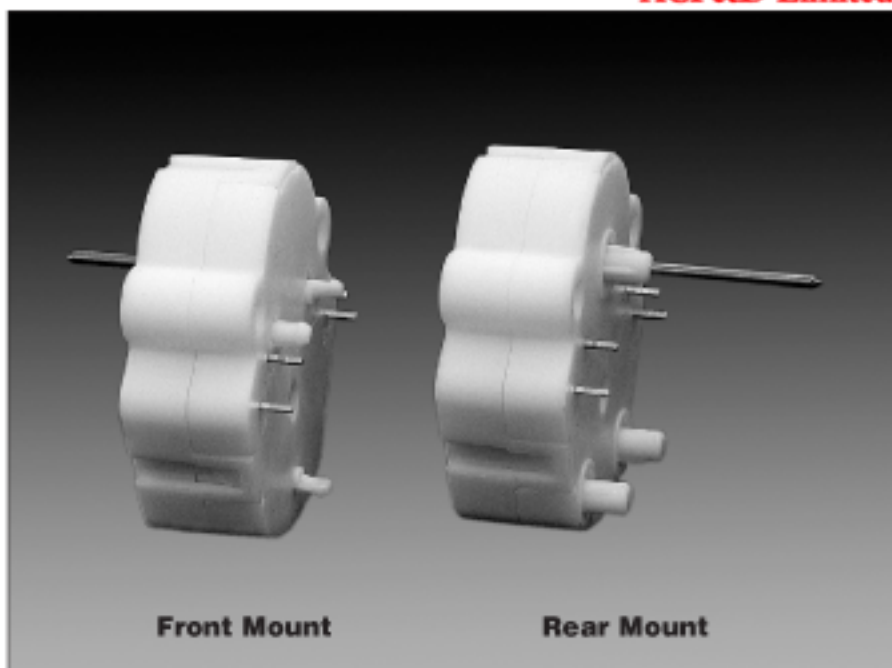




6405
Single-Shaft
Front / Rear Mount
Stepper Motors

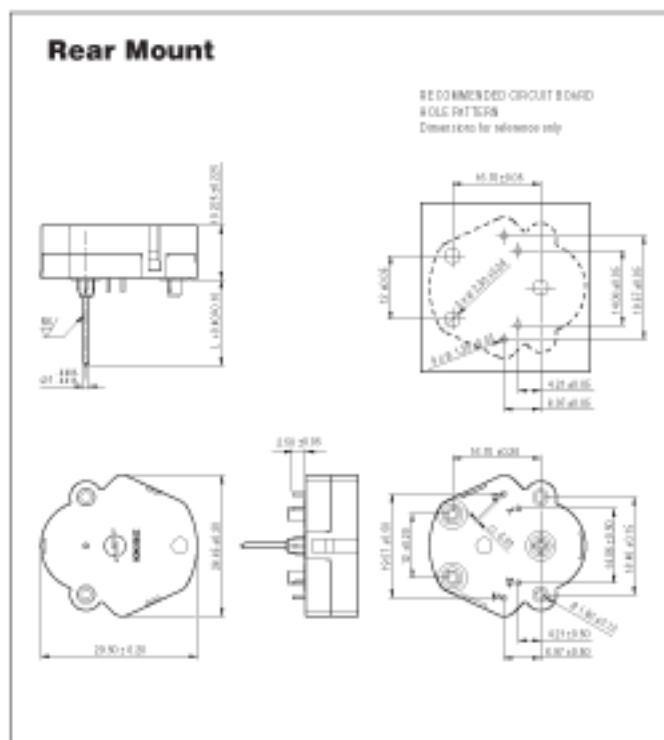
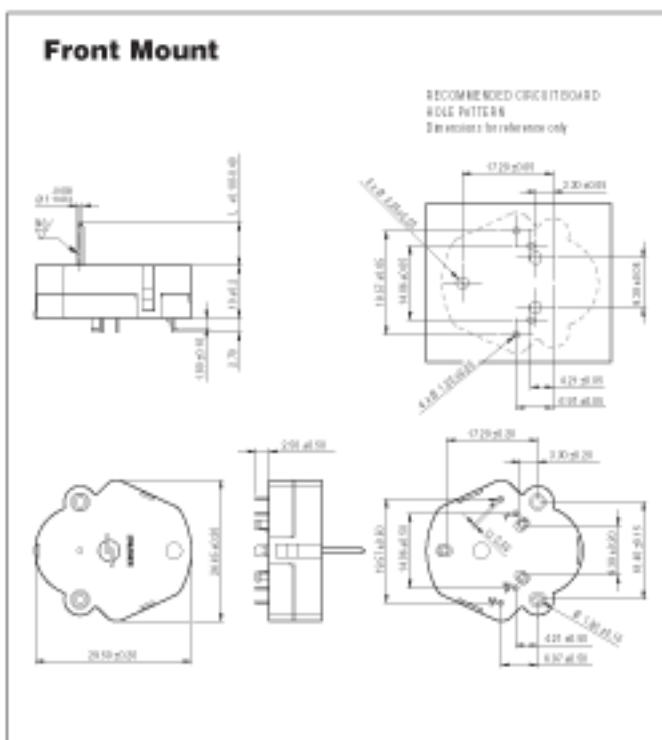
Nominal Torque 1.6 mNm
Max Speed 800 degree/s
Weight 7 g
Output Shaft $\varnothing 1^{-0.003}/_{-0.013}$ mm



Front Mount

Rear Mount

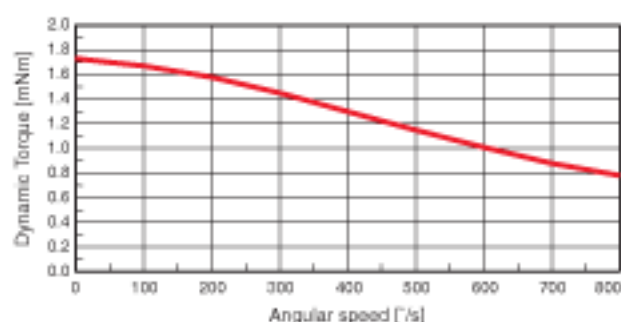
Part N°	Position on PWB	Shaft length	Internal stop	Fixing features
6405R200	Front Mount	8.15 mm	Yes	3 snaps
6405R201	Front Mount	10.75 mm	Yes	3 snaps
6405R300	Front Mount	8.15 mm	No	3 snaps
6405R401	Rear Mount	16.275 mm	Yes	3 crush ribs
6405R404	Rear Mount	12.275 mm	Yes	3 crush ribs



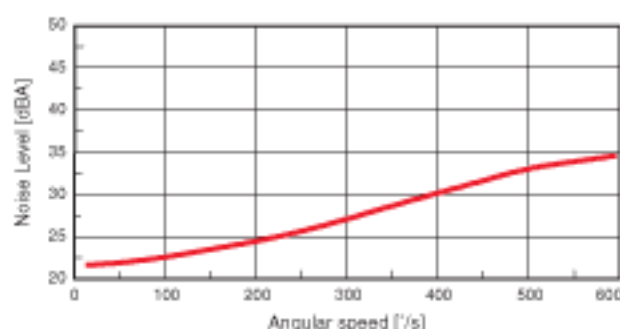
Electrical and Mechanical Characteristics

Parameter	Min.	Typ.	Max.	Units
Rotor step angle		18		degree
Gear ratio		1:36		
Step size degree in full step mode		0.5		degree
Step size degree with 6 micro steps		0.083		degree
Operating temperature	-40		105	°C
Storage temperature	-50		105	°C
Operating voltage		5	7.5	V
Operating current at 22°C		22		mA
Coil resistance at 22°C	214	227	240	Ω
Coil inductance at 22°C	45	55	65	mH
Magnetic saturation voltage		12		V
Dynamic torque at 22°C				
at 200 degree / sec	1.2	1.6		mNm
at 400 degree / sec	0.8	1.3		mNm
Noise level at 22°C, at 5 cm from the reference face, pre-test				
at 100 degree / sec		22	30	dB(A)
at 200 degree / sec		26	35	dB(A)
at 400 degree / sec		30	40	dB(A)
Maximum speed at 22°C	800			degree/s
Static torque at 22°C		3.6		mNm
Equivalent motor inertia at output		6.5 E-06		kg/m ²
Permissible forces on shaft at 22°C:				
Axial force			100	N
Radial force at 8 mm from front face of motor			12	N

Dynamic torque at 25°C, coil voltage 5V
for motors driven in 1/6 micro-steps



Noise level at 5 cm, 25°C, coil voltage 5V
for motors driven in 1/6 micro-steps



ACP&D Limited
Units 6 & 9A,
Charlestown Industrial Estate,
Robinson Street,
Ashton-under-Lyne,
Lancashire, OL6 8NS.

Tel: +44 (0)161 343 1884
Fax: +44 (0)161 339 0650
e-mail: sales@acpd.co.uk
Websites: www.acpd.com &
www.acpd.co.uk



SONCEBOZ
The driving force