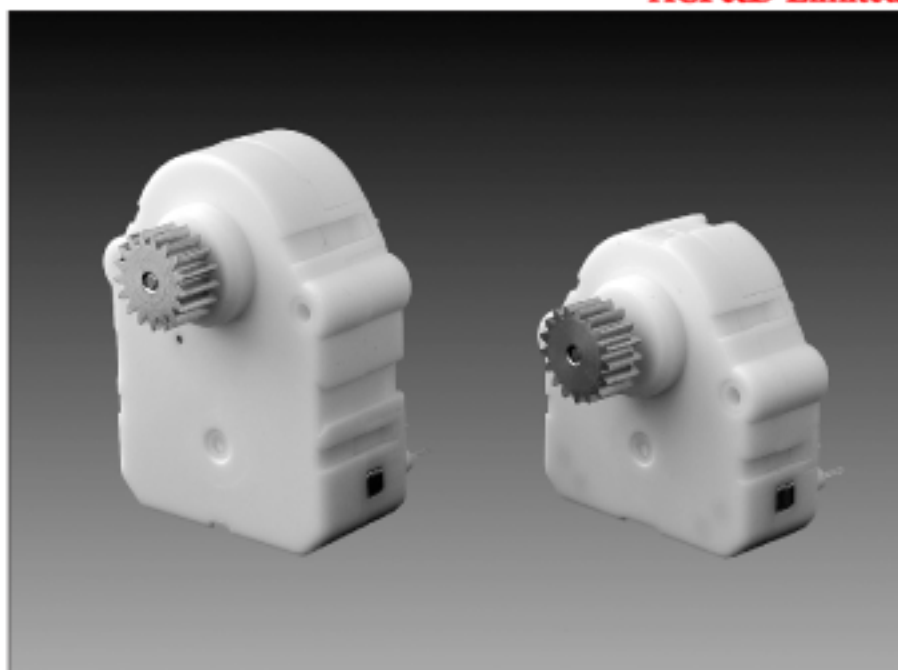
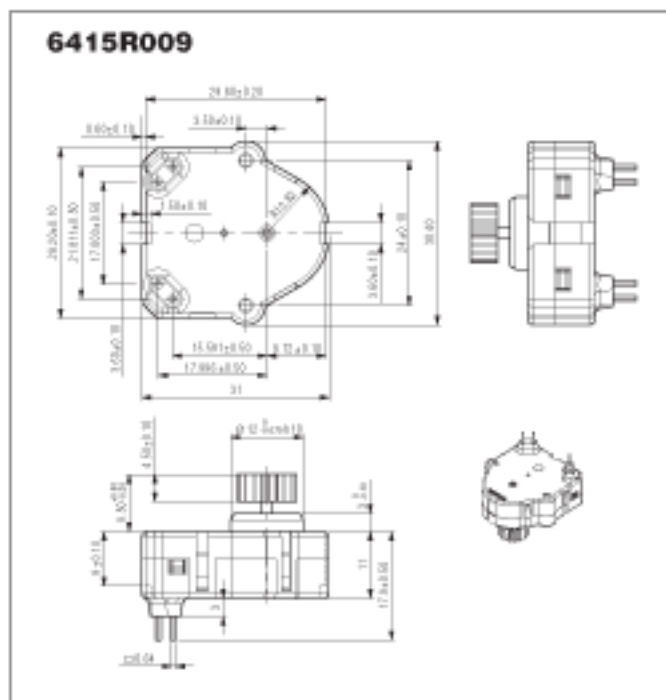
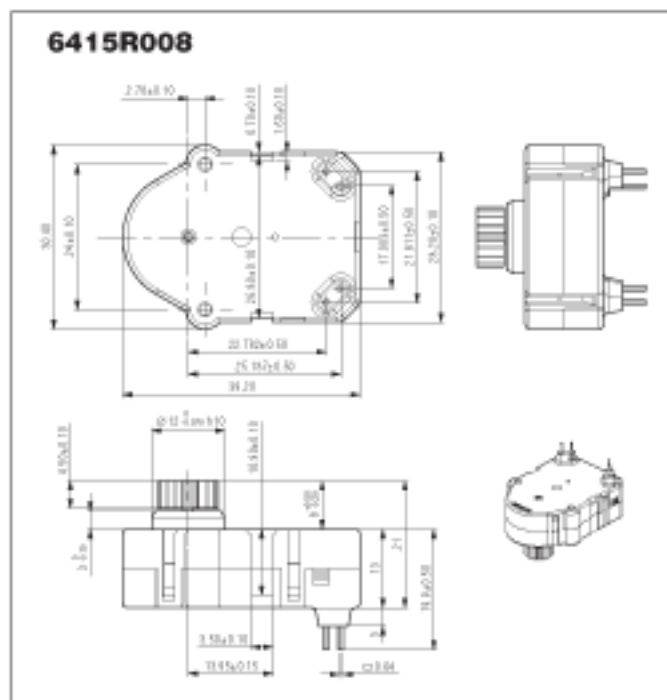




6415R008
6415R009
Front Mount
Stepper Motors



Part N°	6415R008	6415R009
Nominal torque	25 mNm	3.2 mNm
Max speed	200 degree/s	1000 degree/s
Weight	16 g	13 g
Output shaft	∅ 1.6 ⁰ / _{-0.010} mm	∅ 1.6 ⁰ / _{-0.010} mm
Gear ratio	1:90	1:10

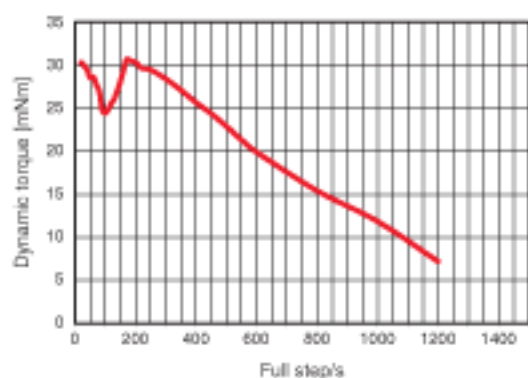


Electrical and Mechanical Characteristics

Part N°	6415R008			6415R009			Units
	Min.	Typ.	Max.	Min.	Typ.	Max.	
Rotor step per revolution		20			20		
Rotor step angle		18			18		degree
Gear ratio		1:90			1:10		
Gear play	0.2	0.5	1.0	0.5	1	1.5	degree
Dynamic torque at 22°C							
at 50 degree / sec (Nominal speed)	20	25					mNm
at 120 degree / sec	10	15					mNm
at 400 degree / sec (Nominal speed)				2.5	3.2		mNm
Holding torque	40			4			mNm
Holding torque without current		4			0.5		mNm
Noise level at 22°C, at 5cm from the reference face (nominal speed)		32	40		32	40	dB(A)
Speed at 22°C			200			1000	°/sec
Operating temperature	-40		85	-40		85	°C
Coil resistance at 22°C	160	175	190	160	175	190	Ω
Coil inductance at 22°C	65	77	85	65	77	85	mH
Operating current at 22°C		30			30		mA
Operating voltage RL		5.3			5.3		V

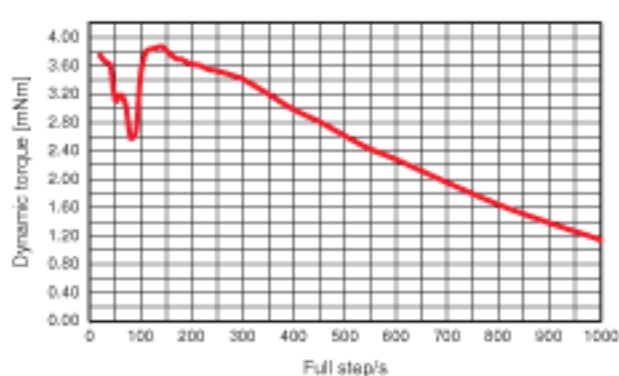
6415R008

Dynamic torque at 25°C, coil voltage 5.3 V



6415R009

Dynamic torque at 25°C, coil voltage 5.3 V



ACP&D Limited
Units 6 & 9A,
Charlestown Industrial Estate,
Robinson Street,
Ashton-under-Lyne,
Lancashire, OL6 8NS.

Tel: +44 (0)161 343 1884
Fax: +44 (0)161 339 0650
e-mail: sales@acpd.co.uk
Websites: www.acpd.com &
www.acpd.co.uk



SONCEBOZ
The driving force