

# Series 650 Compact Encoder

## Specification

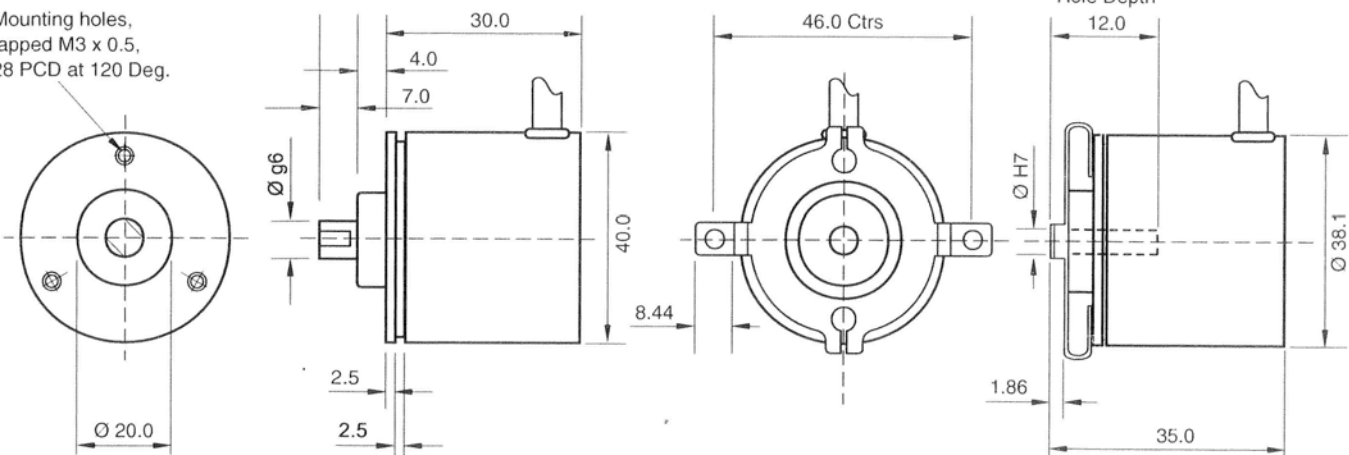
Pulse range	1 to 5000 ppr
Maximum frequency	125kHz
Current consumption	120mA
LED life	100,000 hours
Maximum speed	7,500 rpm
Torque	2.0 Ncm
Radial load	10N at L/2
Axial load	10N
Moment of inertia	20g/cm <sup>2</sup>
Housing	Black non-corrosive
Operating temperature	0 to +70°C
Humidity	95% non-condensing
Protection	IP54

The 650 hollow shaft encoder features integral flexible mounting, which further reduces the cost of installation.

**NOTE:** A GLASS DISK IS USED IN THIS ENCODER. NOT FOR USE IN APPLICATION WITH A LARGE AMOUNT OF VIBRATION OR SHOCK LOADS.  
Plastic disk option for < 100 pulses per rev.

All Dimensions in millimeters

Mounting holes,  
tapped M3 x 0.5,  
28 PCD at 120 Deg.



SERVO MOUNT WITH SHAFT

HOLLOW SHAFT

**Model**  
6 = 600 series

**Variant**  
5 = Standard

**Channels**  
4 = A,  $\bar{A}$ , B,  $\bar{B}$

**Marker**  
0 = None  
2 = Z,  $\bar{Z}$

**Pulses per rev.**  
0001 to 5000

**Mounting**  
0 = Round  
4 = Hollow

**Options**  
0 = None  
P = Plastic Disk  
H = High Temperature

**6XX - X - X - X - XXXX - X - X - X**

### Shaft Configuration

$\varnothing$ dia.	L = Len.	$\varnothing$ dia.
A = 6mm	7mm	U = 6mm
F = 1/4"	7mm	P = 10mm
S = 1/4"	} Hollow Shaft	V = 12mm
T = 3/8"		W = 14mm

### Output Circuit

- 1 = Current sink NPN (7-24v)
- 5 = CMOS line driver (7-15v)
- 6 = TTL line driver (5v)

### Connections:

- SG2 = Side Gland 2m cable\*
- SG5 = Side Gland 5m cable
- \* specify additional length

ACP&D Limited  
86 Rose Hill Road,  
Ashton-under-Lyne,  
Lancashire,  
England,  
OL6 8YF.

Tel: +44 (0)161 343 1884  
Fax: +44 (0)161 343 7773  
e-mail: sales@acpd.co.uk  
Websites: www.acpd.com &  
www.acpd.co.uk

