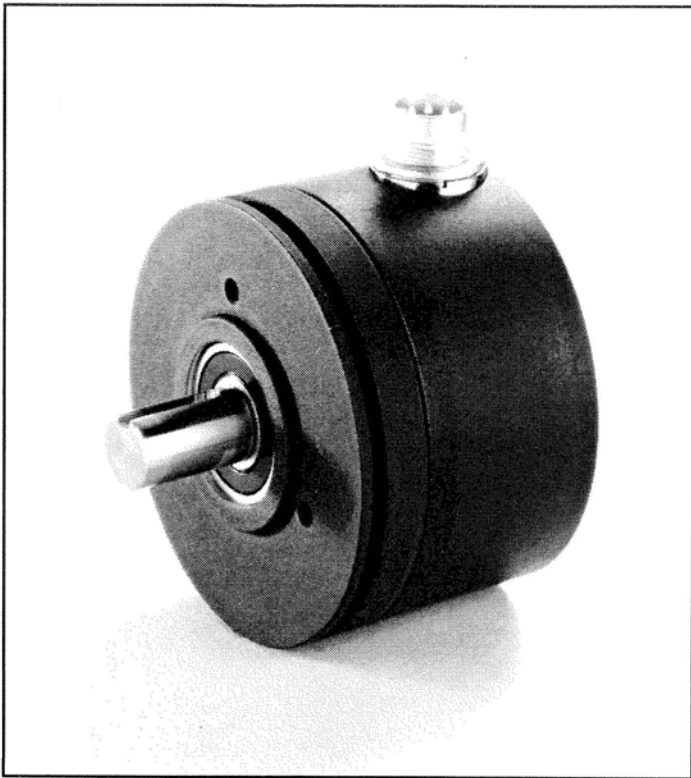


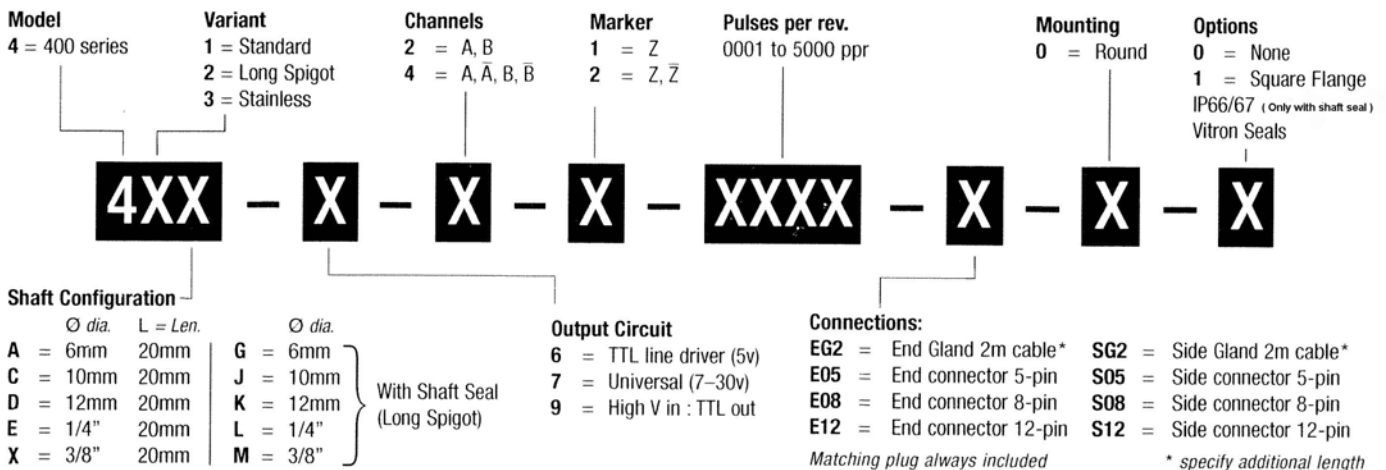
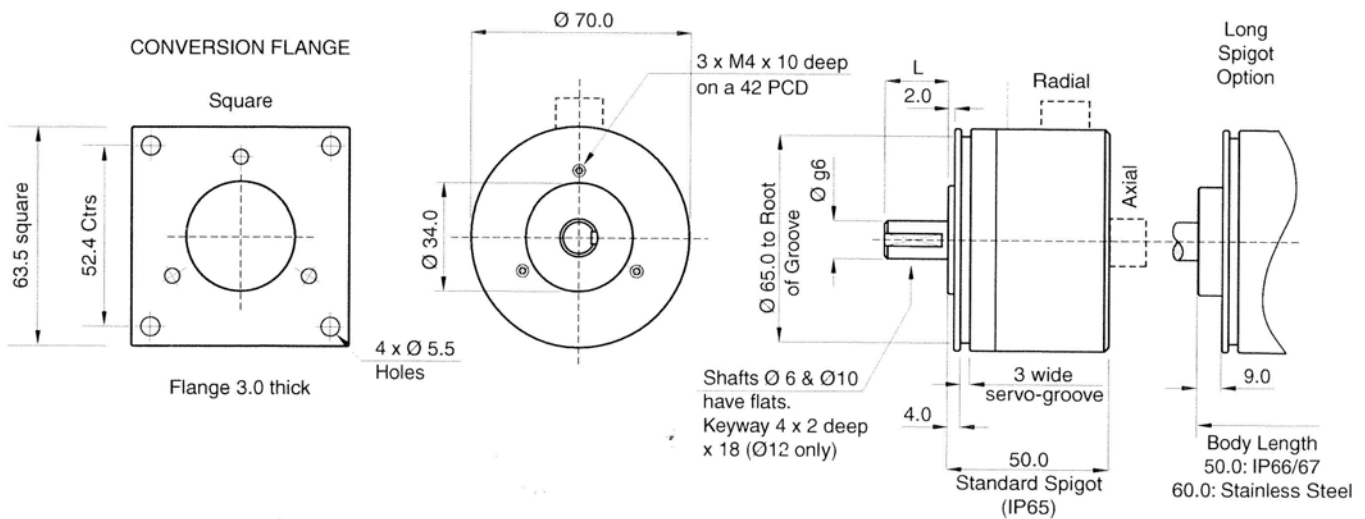
Series 400 Standard Encoder

Specification

Pulse range	1 to 5000 ppr
Maximum frequency	100kHz
Current consumption	100mA
LED life	100,000 hours
Maximum speed	6,000 rpm
Torque	2.4 Ncm (3.0 Ncm with shaft seal)
Radial load	10N at L/2
Axial load	10N
Moment of inertia	100g/cm ²
Housing	Aluminium (Stainless option)
Shaft	Stainless Steel
Operating temperature	-20 to +60°C
Humidity	95% non-condensing
Protection	IP65 (IP66/67 option)



All Dimensions in millimeters



ACP&D Limited
86 Rose Hill Road,
Ashton-under-Lyne,
Lancashire,
England,
OL6 8YF.

Tel: +44 (0)161 343 1884
Fax: +44 (0)161 343 7773
e-mail: sales@acpd.co.uk
Websites: www.acpd.com &
www.acpd.co.uk

