

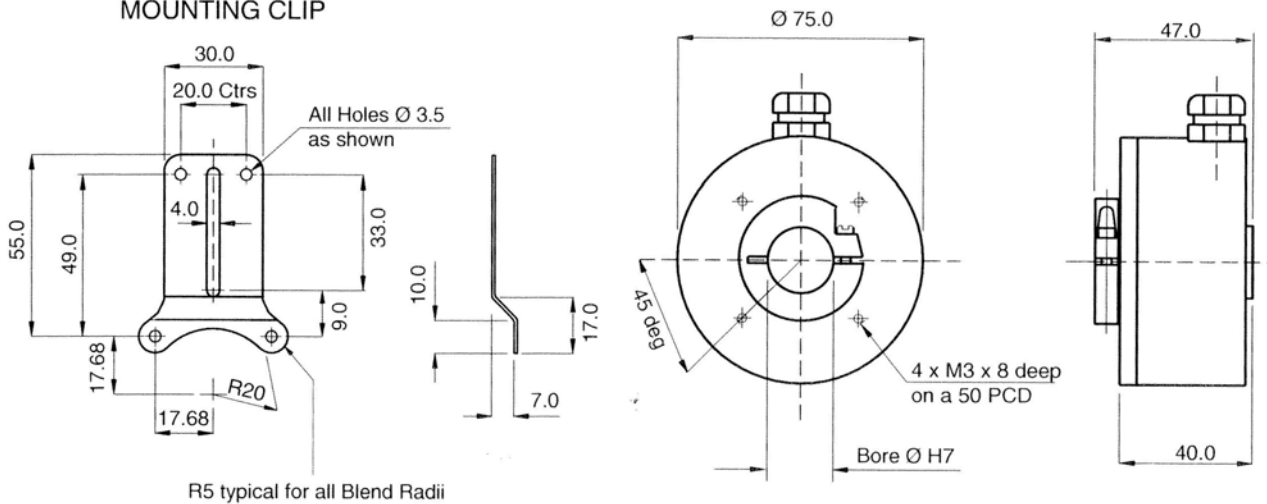
Series 720 Medium Hollow Shaft

Specification

Pulse range	1 to 5000 ppr
Maximum frequency	100kHz
Current consumption	100mA
LED life	100,000 hours
Maximum speed	6,000 rpm
Torque	3.0 Ncm
Shaft load	Designed to support own weight
Moment of inertia	100g/cm ²
Housing	Aluminium
Shaft	Aluminium
Operating temperature	-20 to +60°C
Humidity	95% non-condensing
Protection	IP65
Cable	Screened, oil and salt water proof

All Dimensions in millimeters

MOUNTING CLIP



Model
7 = 700 series

Variant
2 = Medium Hollow

Channels
2 = A, B
4 = A, \bar{A} , B, \bar{B}

Marker
1 = Z
2 = Z, \bar{Z}

Pulses per rev.
0001 to 5000 ppr

Mounting
4 = Hollow Shaft

7XX - **X** - **X** - **X** - **XXXX** - **X** - **X** - **X**

Shaft Configuration

\varnothing dia.
P = 10mm
V = 12mm
W = 14mm
X = 16mm
= 20mm
Hollow Shaft

Output Circuit

6 = TTL line driver (5v)
7 = Universal (7-30v)
9 = High in : TTL out

Connections:

SG2 = Side Gland 2m cable*
S05 = Side connector 5-pin
S08 = Side connector 8-pin
S12 = Side connector 12-pin

* specify additional length

Options
0 = None

ACP&D Limited
85 Rose Hill Road,
Ashton-under-Lyne,
Lancashire,
England,
OL6 5YF.
Tel: +44 (0)161 343 1884
Fax: +44 (0)161 343 7773
e-mail: sales@acpd.co.uk
Websites: www.acpd.com &
www.acpd.co.uk

