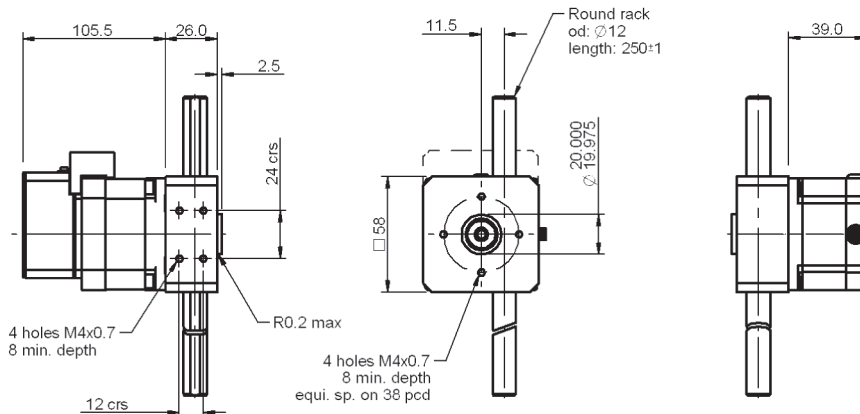




All dimensions in mm  
General tolerances: ±0.13mm

Associated Products



Reliance Cool Muscle Motor

Hybrid Stepper Motor

## Part number selection table

Part Number	Motor	Pinion Material	Axial Load (N)	Momentary Load (N)	Travel Range (mm)
<a href="#">RCMRA23L-12-250-C</a>	Reliance Cool Muscle Motor <sup>1</sup>	St Steel 17-4Ph	90	150	150
<a href="#">RRA23-12-250</a>	Hybrid Stepper Motor <sup>2</sup>		90	150	

<sup>1</sup> Reliance Cool Muscle motor option, see [page\\*\\*](#) for motor details (if a pulse interface is required change -C to a -P)

<sup>2</sup> Hybrid stepper motor option, see [page\\*\\*](#) for motor details

## Technical information

	RCMRA23 Reliance Cool Muscle	RRA23 Hybrid Stepper
Resolution	0.00085mm with 50000steps/rev	0.21mm with 200 steps/rev
Max Speed	mm/sec	300
Temperature range	Between 0°C and 40°C	
Repeatability	mm	0.012
Side Wobble (50mm from Housing)	mm	±0.2
Life Time	5 million cycles minimum	
Backlash	mm	0.08 linear movement
Rack Material	316 grade stainless steel	
Lubrication	PTFE based grease	

