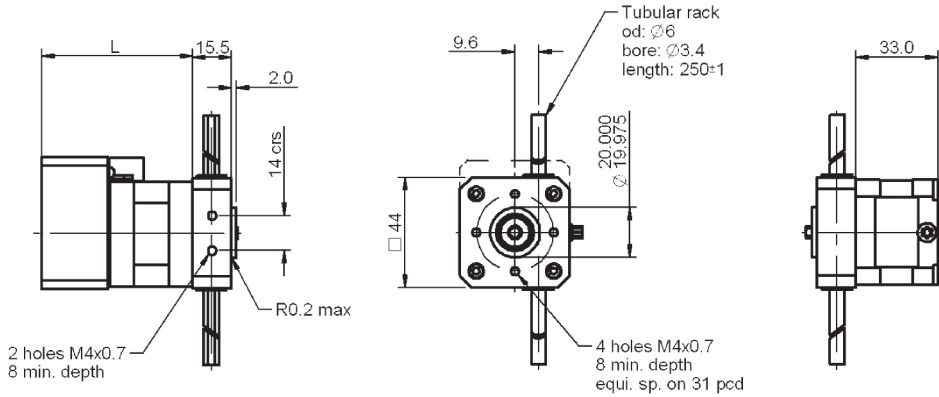


Associated Products

All dimensions in mm
General tolerances: $\pm 0.13\text{mm}$



Reliance Cool Muscle Motor

Hybrid Stepper Motor

Part number selection table

| Part Number | Motor | Pinion Material | L | Axial Load (N) | Momentary Load (N) | Travel Range (mm) |
|------------------------------------|---|-----------------|------|----------------|--------------------|-------------------|
| RCMRA17S-6-250-C | Reliance Cool Muscle Motor ¹ | PEEK™ | 60.5 | 3 | 12 | 200 |
| RCMRA17L-6-250-C-S | | St St | 76.5 | 15 | 25 | |
| RRA17-6-250 | Hybrid Stepper Motor ² | PEEK™ | - | 3 | 12 | |
| RRA17-6-250-S | | St St | - | 15 | 25 | |

¹ Reliance Cool Muscle motor option, see [page**](#) for motor details (if a pulse interface is required change -C to a -P)

² Hybrid stepper motor option, see [page**](#) for motor details

Technical information

| | RCMRA17 Reliance Cool Muscle | RRA17 Reliance Stepper |
|------------------------------|---------------------------------|---|
| Resolution | 0.00085mm with 50000 steps/rev | 0.21mm with 200 steps/rev |
| Max Speed | 300mm/sec | |
| Temperature range | Between 0°C and 40°C | |
| Repeatability | 0.025mm | |
| Side Wobble (fully extended) | $\pm 0.2\text{mm}$ | |
| Life Time | 5 million cycles minimum | |
| Backlash | 0.08mm linear movement | |
| Rack Material | 316 grade stainless steel | |
| Lubrication | St St | PTFE based grease |
| | PEEK™ | Lubrication free, provides smooth quiet operation |