

## Permanent magnet stepper motors

### 6231 S

- Step angle ..... 7.5°
- Diameter ..... 42 mm
- Weight ..... 120 g
- Holding torque ..... 57 mNm

Compact in size, light and noiseless this motor is used when low power is needed. Easily integrated in a wide range of applications.

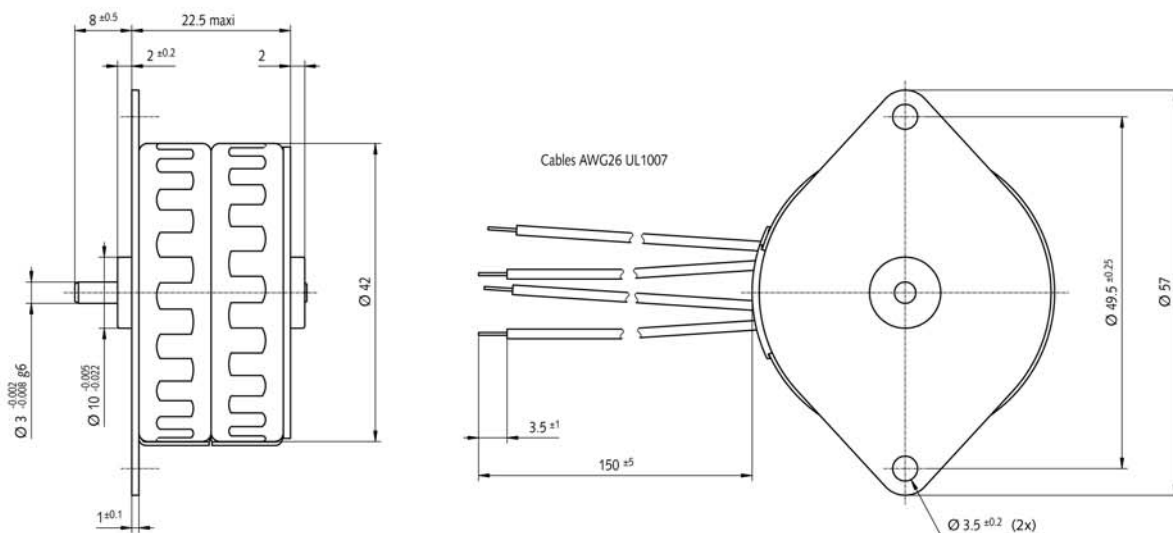
### ► Technical data

	Part N°	Phase Resistance [Ω]	Phase Inductance [mH]	Phase current [A]	Holding torque [mNm]	Nominal power [W]	Cable code
Bipolar	6231-2S-17.5	17.5	25	0.34	57	4	red
	6231-2S-70	70	98	0.17	57	4	blue

Steps/rev.	48
Step accuracy	± 7%
Rotor inertia	12 gcm <sup>2</sup>
Insulation class	E 120° C
Protection	DIN 40050 IP 30
Test voltage	500 VAC
Detent torque	5 mNm

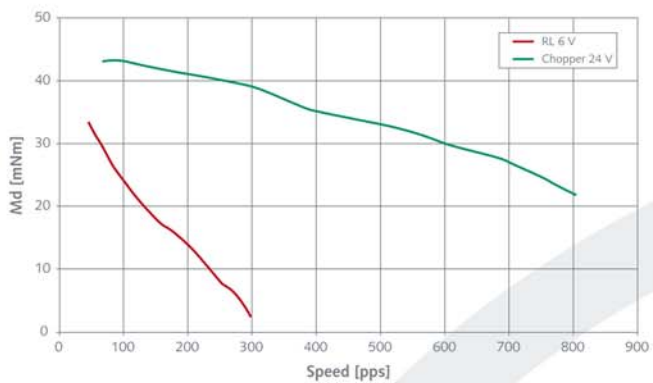
### ► Dimensions

Drawing not to scale. All dimensions in mm.

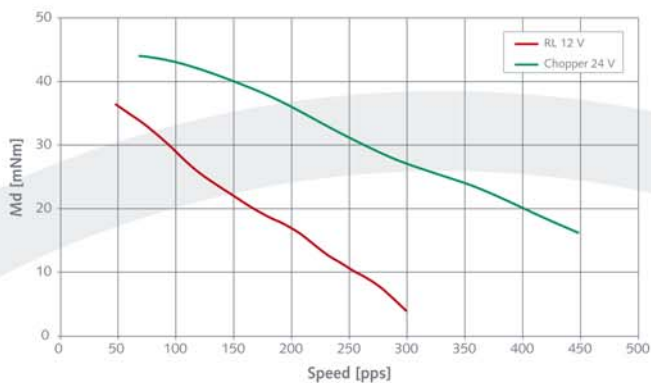


▶ Dynamic characteristics

• 6231-25-17.5



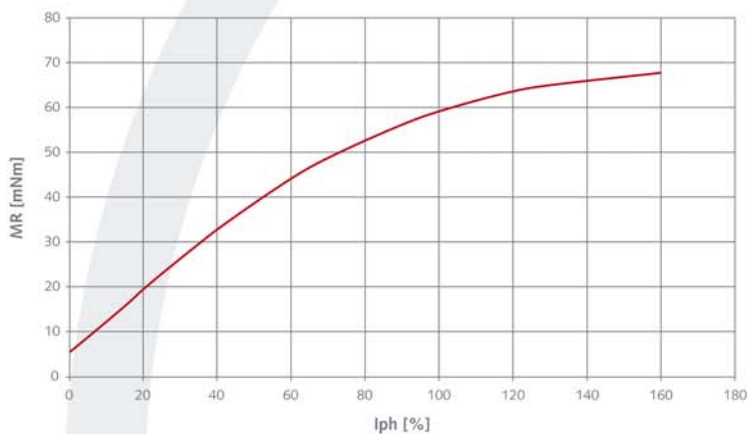
• 6231-25-70



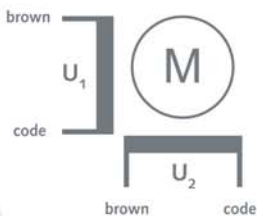
[pps] = pulses per second

▶ Static characteristics

• 6231-2S Series



▶ Electrical Interface



Special requirements upon customer specifications. Right to change reserved.

< 1.0 >

**ACP&D Limited**  
 86 Rose Hill Road,  
 Ashton-under-Lyne,  
 Lancashire,  
 England,  
 OL6 8YF.

Tel: +44 (0)161 343 1884  
 Fax: +44 (0)161 343 7773  
 e-mail: sales@acpd.co.uk  
 Websites: www.acpd.com &  
 www.acpd.co.uk

