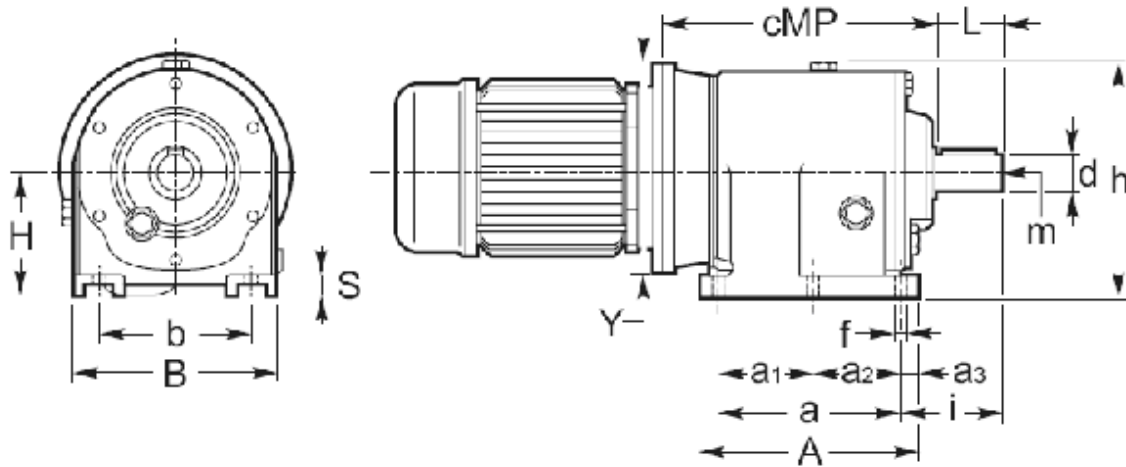




AMP



AM AC AR	a	a ₁	a ₂	a ₃	A	b	B	cRP	d h6	d ₁ j6	f	h	H	i	L	L ₁	LRP	m	m ₁	Q
25	71	—	—	9.5	90	90	111	—	11 (14)	—	6.5	103	63	47 (50)	22 (25)	—	—	M5	—	8
32	87	37	50	10	107	110	135	144	16 (19) (20)	16	9	153. 5	85	48 (58) (58)	30 (40) (40)	40	214 (224) (224)	M6 (M6) (M6)	M6	9
40	85	—	—	10	105	110	135	166	20 (19) (25)	16	9	155	80	58 (58) (68)	40 (40) (50)	40	246 (246) (256)	M6 (M6) (M8)	M6	12
50	130	—	—	12.5	155	110	145	227	25 (24) (30)	16	9	170	90	75 (75) (85)	50 (50) (60)	40	317 (317) (327)	M8 (M8) (M10)	M6	15
60	165	—	—	15	195	135	185	269	30 (28) (35)	19	14	210	115	90 (90) (100)	60 (60) (70)	40	369 (359) (379)	M10 (M10) (M10)	M6	20
80	205	—	—	20	245	170	230	310	40 (38)	24	20+	265	140	115 (115)	80 (80)	50	440 (440)	M10 (M10)	M8	25
100	260	—	—	21	306	215	290	395	50 (48)	28	20	322	180	140 (140)	100 (100)	60	555 (555)	M12 (M12)	M8	35
120	310	—	—	27.5	365	250	350	460	60	38	23	415	225	160	120	80	660	M12	M10	45

	40	50	60	80	120
F _M	82	110	110	156.9	230
G _M (g6)	54	74	74	114	170
L _M	14	16	16	20	26.5
R _M	66	94	94	136	200
V _M	M6	M8	M8	M10	M12
U _M	8	7	6	13	18

	IEC	40		50		60		80		120		40	50	60	80
		Y	cMF	Y	cMF	Y	cMF	Y	cMF	Y	cMF				
AMP/F./2 ACP/F./2	B5	140	171	140	206	160	246	200	298	300	423	132	167	202	241
		160	171	160	206	200	261	250	310	350	432				
		200	191	200	226	250	271	300	329	400	437				
		250	201	250	236	300	295	350	359	450	446				
	B14	120	191	120	226	120	261								
		140	191	140	226	140	261								
AMP/F./3 ACP/F./3	B5	140	175.5	140	206	160	246	200	298	200	372	149	167	202	241
		160	179.5	160	206	200	261	250	308	250	490				
		200	203.5	200	226	250	271			300	401				
	B14	120	203.5	120	226	120	261								
				140	226	140	261								
						160	271								