

# DC Motors - 0.18kw - 11kw

Totally enclosed range



A comprehensive range of standard permanent magnet and shunt wound dc motors manufactured in accordance with IEC standards, and are available in outputs from 0,18kW to 11kW.

The entire range is characterised by a high degree of flexibility with motors being quickly adapted with brakes, tacho generators, and independent forced cooling or with a combination of these items.

Standard motors are available ex-stock with options having a lead-time of hours.

If required development of completely new motors to customer specifications is possible with small batch sizes and short lead times.

- 0.18kW - 11kW
- 1600 series wound field speed range  
-10:1 against constant torque
- 1600 series permanent magnet speed range  
-20:1 against constant torque
- 1600 series with independent forced cooling speed range  
-50:1 against constant torque
- 1800 series permanent magnet speed range  
-100:1 against constant torque
- Low voltage available  
12v - 48v or wide range of standard voltages
- Permanent magnet or compound, shunt or series wound
- IP54 as standard IP55 as an option
- Form factor 1.6 or where used with armature choke as specified form factor 1.05
- Option of extended non-drive end allows the stock modification of adding brakes, and tachogenerators.
- Foot flange mounted B35 or foot mounted B3
- Foot and 'C' face B34 available as option details on request

Note - Analogue drives would require tacho feedback for speed ranges greater than 20:1, Digital drives would require encoder feedback for speed ranges greater than 20:1

## 1600 Series



## 1800 Series



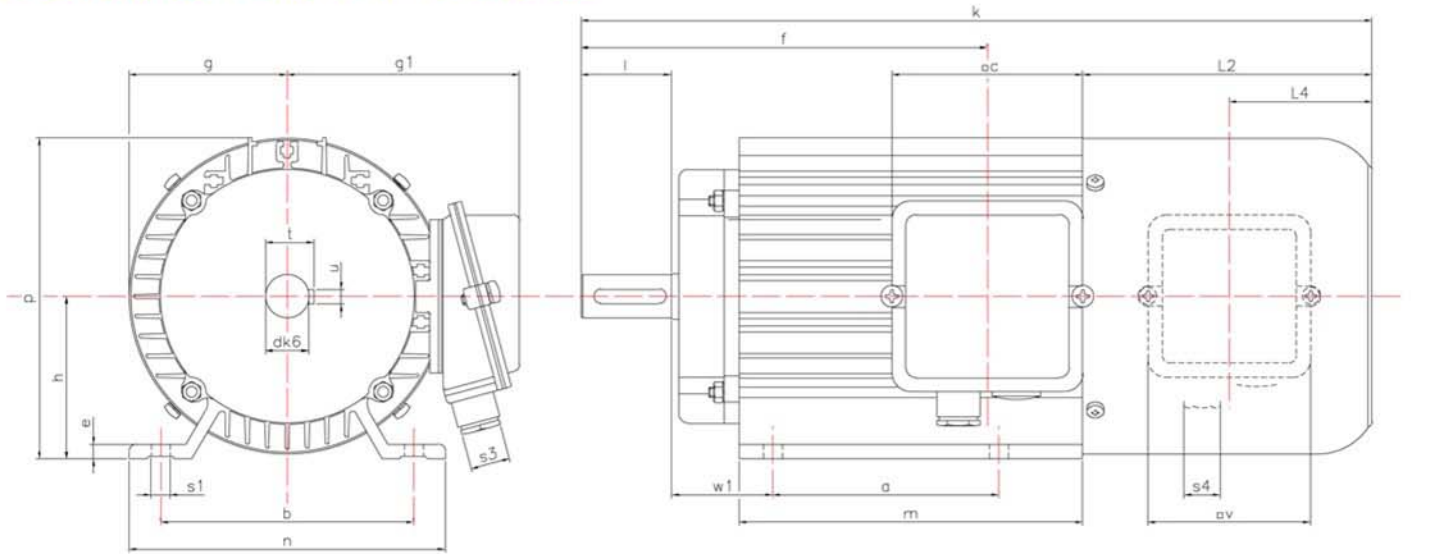
For more information call  
**0161 343 1884**

Fax: **0161 343 7773**  
Email: **sales@acpd.co.uk**  
Web: **www.acpd.co.uk**

# Technodrives Dimensions

Should you require assistance with your selection please call the sales desk on 0161 343 1884

## 1600 Series Frame Size 71-100 B3

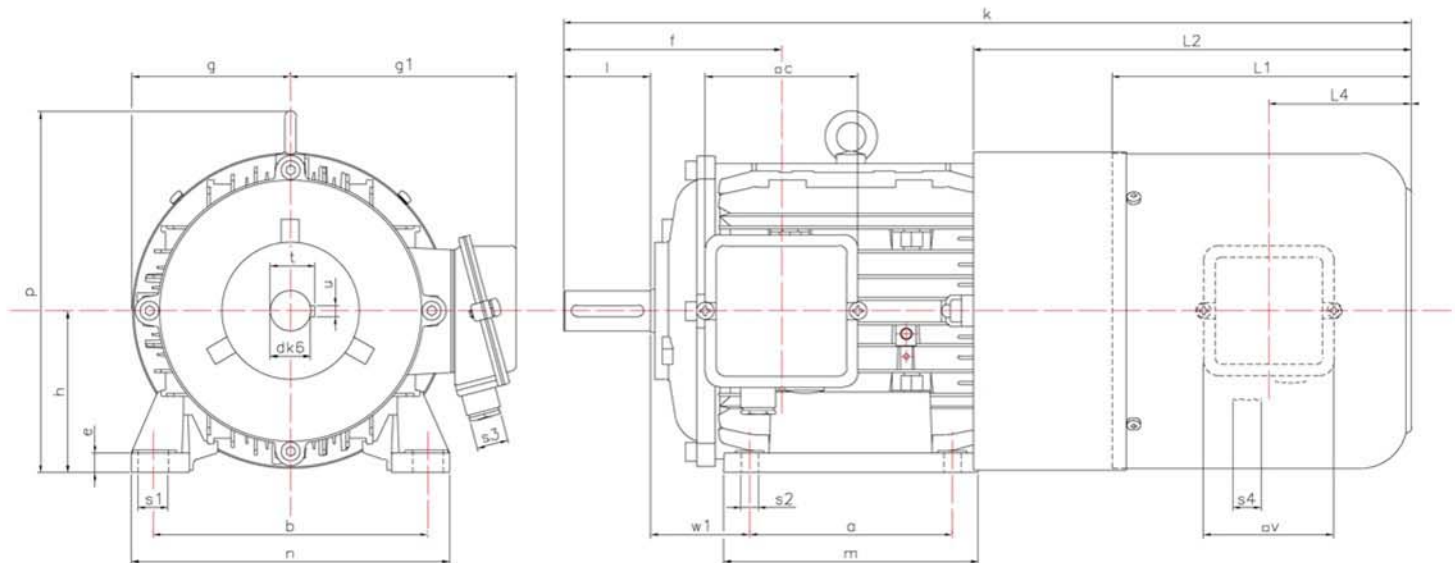


Flange if specified

Frame	Size	h	a	b	w1	c	d	e	f	g	g1	Options	k	l	m	n	s1	s3	s4*	v*	p	t	u	L4*					
CM71ES	A160	71	90	112	45	90	14	6	148	70	115	302	410	350	350	460	460	N/A	30	125	133	7	PG11	PG11*	90°	145	16	5	79*
CM71S	A160	71	90	112	45	90	14	6	148	70	115	302	410	350	350	460	460	N/A	30	125	133	7	PG11	PG11*	90°	145	16	5	79*
CM71M	A160	71	90	112	45	90	14	6	223	70	115	377	485	425	425	535	535	N/A	30	200	133	7	PG11	PG11*	90°	145	16	5	79*
CM71L	A160	71	90	112	45	90	14	6	223	70	115	377	485	425	425	535	535	N/A	30	200	133	7	PG11	PG11*	90°	145	16	5	79*
CS71L	A160	71	90	112	45	90	14	6	178	70	115	332	440	380	380	490	490	N/A	30	155	133	7	PG11	PG11*	90°	145	16	5	79*
90L-4	A200	90	125	140	56	106	24	8	230	90	132	408	512	463	463	560	560	628	50	190	175	10.5	PG16	PG11*	90°	182	27	8	79*
90EL-4	A200	90	125	140	56	106	24	8	270	90	132	448	552	503	503	600	600	668	50	230	175	10.5	PG16	PG11*	90°	182	27	8	79*
100L-4	A250	100	140	160	63	106	28	8	274	98	140	477	587	537	537	635	635	703	60	230	195	10.5	PG16	PG11*	90°	205	31	8	79*

\*Only if Force Vent is fitted

## 1600 Series Frame Size 112-132 B3

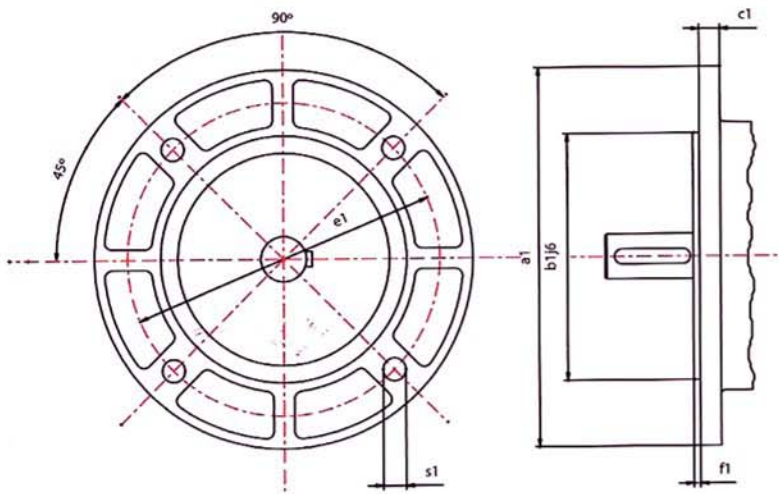


Flange if specified

Frame	Size	h	a	b	w1	c	d	e	f	g	g1	Options	k	l	m	n	s1	s2	s3	s4*	v*	p	t	u	L4*					
112L-4	A250	112	140	190	70	106	28	14	159	110	160	480	587	540	540	634	644	713	60	175	235	21	11.5	PG16	PG11*	90°	265	31	8	99*
132S-4	A300	132	140	216	89	124	38	20	195	130	196	565	663	676	636	778	743	823	80	180	265	22	12	PG21	PG11*	90°	306	41	10	99*
132M-4	A300	132	140	216	89	124	38	20	195	130	196	565	663	676	636	778	743	823	80	180	265	22	12	PG21	PG11*	90°	306	41	10	99*
132L-4	A300	132	178	216	89	124	38	20	195	130	196	603	701	714	674	816	781	861	80	218	265	22	12	PG21	PG11*	90°	306	41	10	99*

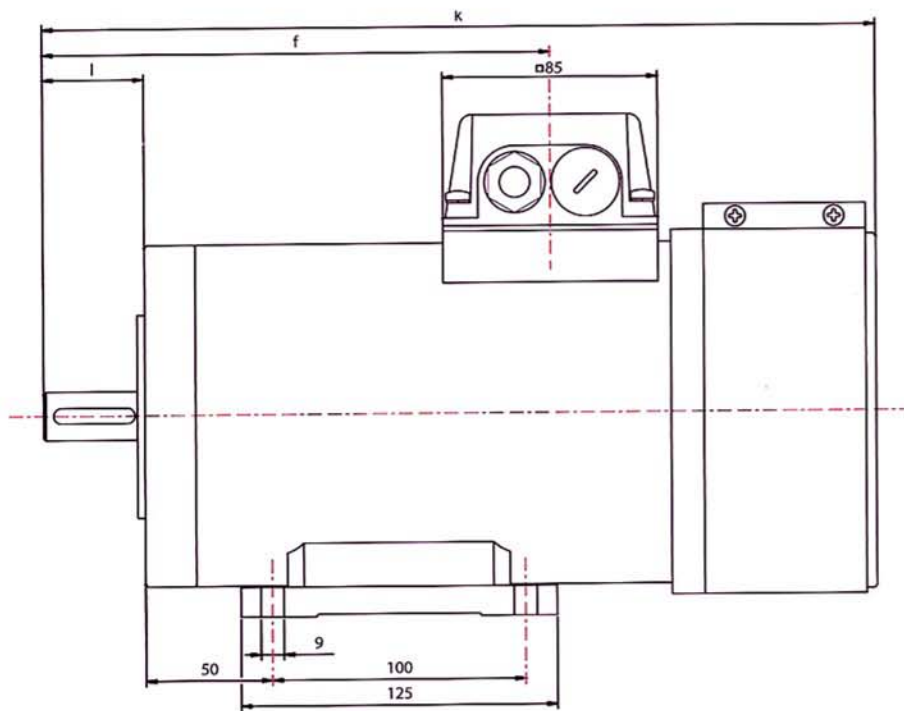
\*Only if Force Vent is fitted

## 1600 Series Flange B5



Frame	a1	b1	c1	e1	f1	s1
A160	160	160	110	130	3.5	10
A200	200	200	130	165	3.5	12
A250	250	250	180	215	4	14
A300	300	300	230	265	4	14

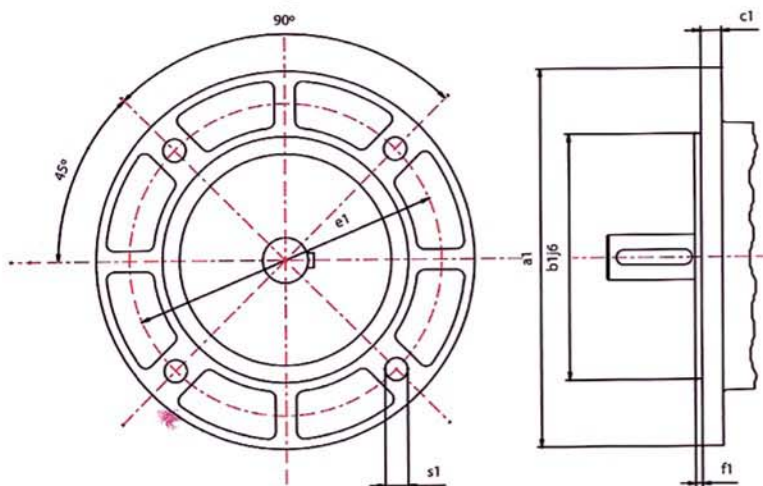
## 1800 Series Frame Size 80 B3



Extended shaft on non-drive end is an optional extra for fitting of tacho or brake.

Dimension with tacho or brake fitted on request.

## 1800 Series Flange B5



Frame	Size	Flange if specified							s1	s1	u
		A1	B1j6	dk6	f	k	l	t	foot	flange	
80MSH-4	A200	200	130	19k6	200	329	40	21.5	17.5	12	6
80LSH-4	A200	200	130	19k6	250	389	40	21.5	17.5	12	6

Selection Chart  
See Over

# DC Motors - 0.18kw - 11kw

## Selection Chart & Options



Power kW	RPM	Frame	Series No	VA	IA	VF	Choke	Fit Flange and Oil Seal	Extended shaft non-drive end for tachometer or brake mounting	ICO6 Forced Ventilation	Protection To IP55	Supply & Fit Brake 205vDC	Supply & Fit 20v/1000rpm DC Tacho	Supply & Fit 30v/1000rpm AC Rectified Tacho
0.18	3000	CM71ES	CR/1612F	180	1.2	PM	●	◆	□	□	□	□	□	□
	2000	CM71ES	CR/1622F	180	1.2	PM	●	◆	□	□	□	□	□	□
	1500	CS71L	CR/1601	180	1.4	210	●	□	□	□	□	□	□	□
0.25	3000	CM71ES	CR/1616F	180	1.7	PM	●	◆	□	□	□	□	□	□
	3000	CS71L	CR/1652	180	1.8	210	●	□	□	□	□	□	□	□
	2000	CM71S	CR/1626F	180	1.7	PM	●	◆	□	□	□	□	□	□
	1500	CS71L	CR/1602	180	1.9	210	●	□	□	□	□	□	□	□
0.37	3000	CM71S	CR/1617F	180	2.4	PM	●	◆	□	□	□	□	□	□
	3000	CS71L	CR/1653	180	2.7	210	LO1*	□	□	□	□	□	□	□
	2000	CM71M	CR/1627F	180	2.5	PM	●	◆	□	□	□	□	□	□
0.55	1500	CM71L	CR/1629F	180	2.5	PM	●	◆	□	□	□	□	□	□
	3000	CM71M	CR/1618F	180	3.4	PM	●	◆	□	□	□	□	□	□
	2000	CM71L	CR/1628F	180	3.6	PM	●	◆	□	□	□	□	□	□
0.75	1500	90L-4	CR/1607	180	4.2	210	●	□	□	□	□	□	□	□
	3000	CM71L	CR/1619F	180	4.8	PM	●	◆	□	□	□	□	□	□
	1500	90L-4	CR/1608	180	5.7	210	LO2*	□	□	□	□	□	□	□
1.1	3000	80MSH-2	CR/1850F	180	7.6	PM	●	◆	□	■	□	□	□	□
	3000	90L-4	CR/1660	180	7.8	210	●	□	□	□	□	□	□	□
	2000	80LSH-2	CR/1851F	180	7.3	PM	●	◆	□	■	□	□	□	□
1.5	1500	100L-4	CR/1610	180	8	210	LO3*	□	□	□	□	□	□	□
	3000	80MSH-2	CR/1860F	180	10.6	PM	LO4*	◆	□	■	□	□	□	□
	3000	90EL-4	CR/1649	180	10.5	210	●	□	□	□	□	□	□	□
	2000	80LSH-2	CR/1861F	180	10	PM	LO4*	◆	□	■	□	□	□	□
2.2	1500	112L-4	CR/1613	180	10.8	210	●	□	□	□	□	□	□	□
	3000	90EL-4	CR/1659	180	15.2	210	LO6*	□	□	□	□	□	□	□
	3000	100L-4	CR/1663	180	15.3	210	LO6*	□	□	□	□	□	□	□
3	1500	112L-4	CR/1614	180	15.8	210	LO5*	□	□	□	□	□	□	□
	3000	112L-4	CR/1666	315	11.6	370	●	□	□	□	□	□	□	□
	1500	132S-4	CR/1670	315	12	370	LO65*	□	□	□	□	□	□	□
4	3000	112L-4	CR/1667	315	15.4	370	LO5*	□	□	□	□	□	□	□
	1500	132M-4	CR/1680	315	15.5	370	●	□	□	□	□	□	□	□
4.5	3000	112L-4	CR/1668	315	17.4	370	LO7*	□	□	□	□	□	□	□
	1500	132M-4	CR/1681	315	17.5	370	LO65*	□	□	□	□	□	□	□
5.5	3000	132M-4	CR/1669	315	23	370	●	□	□	□	□	□	□	□
	1500	132L-4	CR/1690	315	23	370	LO8*	□	□	□	□	□	□	□
7.5	2000	132L-4	CR/1615	315	28	370	LO8*	□	□	□	□	□	□	□
	11	2900	132L-4	CR/3615**	460	28	370	●	□	□	□	□	□	□

The above motors are suitable for use with 1-phase half-controlled thyristor dc controllers with the exception of \*\*CR/3615 that requires a 3-phase fully controlled thyristor bridge.  
**NB** when a brake and tacho are fitted together a force vent must be included.  
 Brake and tacho together cannot be fitted to frame CM71/CS71/80MSH.

◆ - Standard    □ - Option    ● - Not required    ■ - 1800 series ICO6 force ventilation not required. Speed range 100:1 against constant torque

\* - The armature choke listed must be used to obtain stated output power.



**ACP&D Limited**  
 86 Rose Hill Road,  
 Ashton-under-Lyne,  
 Lancashire,  
 England,  
 OL6 8YF.

Tel: +44 (0)161 343 1884  
 Fax: +44 (0)161 343 7773  
 e-mail: sales@acpd.co.uk  
 Websites: www.acpd.com &  
 www.acpd.co.uk



**EX-STOCK IMMEDIATE DESPATCH** (Subject to Remaining Unsold)